

Infant Warmer | Product Catalogue





# TABLE OF CONTENTS

<b>Infant Warmers</b> .....	2
IW980/990 Wall Mount Infant Warmer .....	2
IW910/920 Mobile Infant Warmer .....	3
IW930 Series CosyCot™ Infant Warmer .....	4
IW950 Series CosyCot™ Infant Warmer .....	5
<b>Infant Warmer Accessories</b> .....	6
CosyCot™ Infant Warmer Accessory Pack 1 .....	6
CosyCot™ Infant Warmer Accessory Pack 2 .....	7
Neopuff™ Infant T-Piece Resuscitator IW Module .....	8
General Accessories .....	9-10
Suction Accessories .....	11
Transport Option .....	12
Mounting Accessories .....	13-15
Thermal Management Accessories .....	16-17
Gas Configurations US/Americas/Asia .....	18-20
Gas Configurations UK/Middle East .....	21-22
Gas Configurations Australia/New Zealand .....	23-25
Gas Flowmeters .....	26
Gas Blenders .....	27
Gas Supply Accessories .....	28-30
Gas Hose Accessories .....	31-32
CosyCabinet .....	33
Infant Warmer Model Suffixes .....	34
<b>Part Number Index</b> .....	35
Infant Warmers .....	35
Infant Warmer Accessories .....	35-37

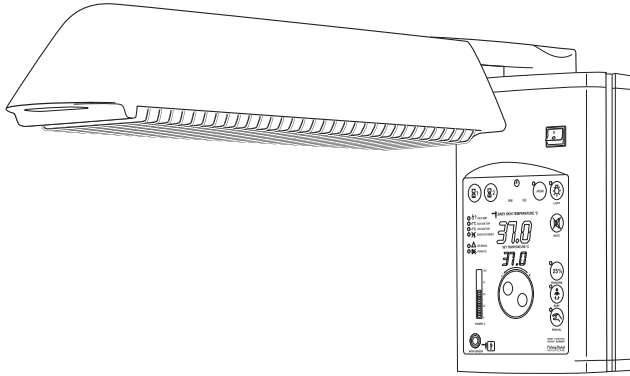
# INFANT WARMERS

## Wall Mount Infant Warmer

Rewarm and stabilize the infant immediately after delivery with the Wall Mount Infant Warmer. Compact in design, this model can be conveniently integrated into the decor where space is limited.

Simple and easy to use with one touch controls, the Wall Mount Infant Warmer offers safe, powerful controlled warming, with a built in Prewarm Mode.

- **Mounting Bracket included**

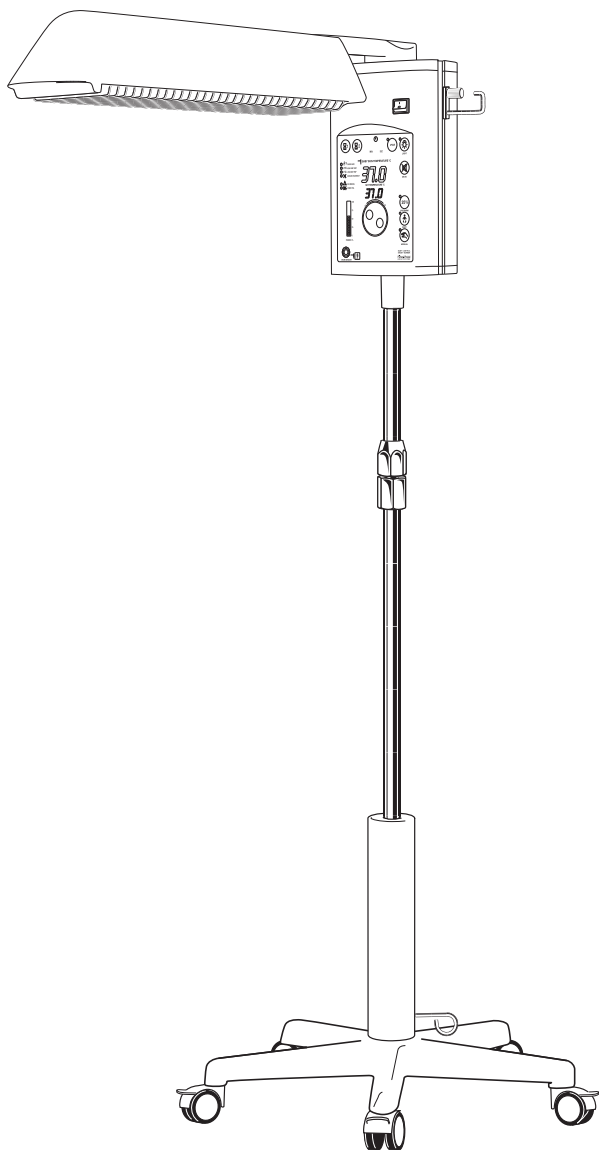


Product Code	Description
IW980	Baby Controlled Wall Mount Infant Warmer With: Prewarm, Baby and Manual Heater Mode 2 Procedure Timers Examination Light Apgar Timer
<b>Includes</b>	
900IW001	DuoSense™ Skin Sensor
NC040-10	DaisyDot™ Sensor Cover (10 Pack)
900IW305	Cable/Hose Hook
900RD302	Wall Mounting Bracket
IW990	Manual Controlled Wall Mount Infant Warmer With: Prewarm and Manual Heater Mode Examination Light Apgar Timer
<b>Includes</b>	
900IW305	Cable/Hose Hook
900RD302	Wall Mounting Bracket

**\*refer to page 34 for the model suffix that applies to your country.**

## Mobile Infant Warmer

Precision warming with optional servo control, the Mobile Infant Warmer is designed for easy mobility and simple safe height adjustment. Conveniently positioned over a bed, bassinet or examination table, the Prewarm mode allows the warmer to be kept “baby ready” without nuisance alarms.



Complete with procedure timer, examination light and one touch controls, the Mobile Infant Warmer provides simple and powerful controlled warming.

Product Code	Description
IW910	Baby Controlled Mobile Warmer With: Prewarm Baby and Manual Heater Modes 2 Procedure Timers Examination Light Apgar Timer 5 Locking Castors
<b>Includes</b>	
900IW001	DuoSense™ Skin Sensor
NC040-10	DaisyDot™ Sensor Cover (10 pack)
900IW305	Cable/Hose Hook
IW920	Manual Controlled Mobile Warmer With: Prewarm and Manual Heater Mode Examination Light Apgar Timer 5 Locking Castors
<b>Includes</b>	
900IW305	Cable/Hose Hook

Product Code	Description
900IW313	IV Pole / Quad Hook Bent
900IW306	Accessory Hook

**\*refer to page 34 for the model suffix that applies to your country.**

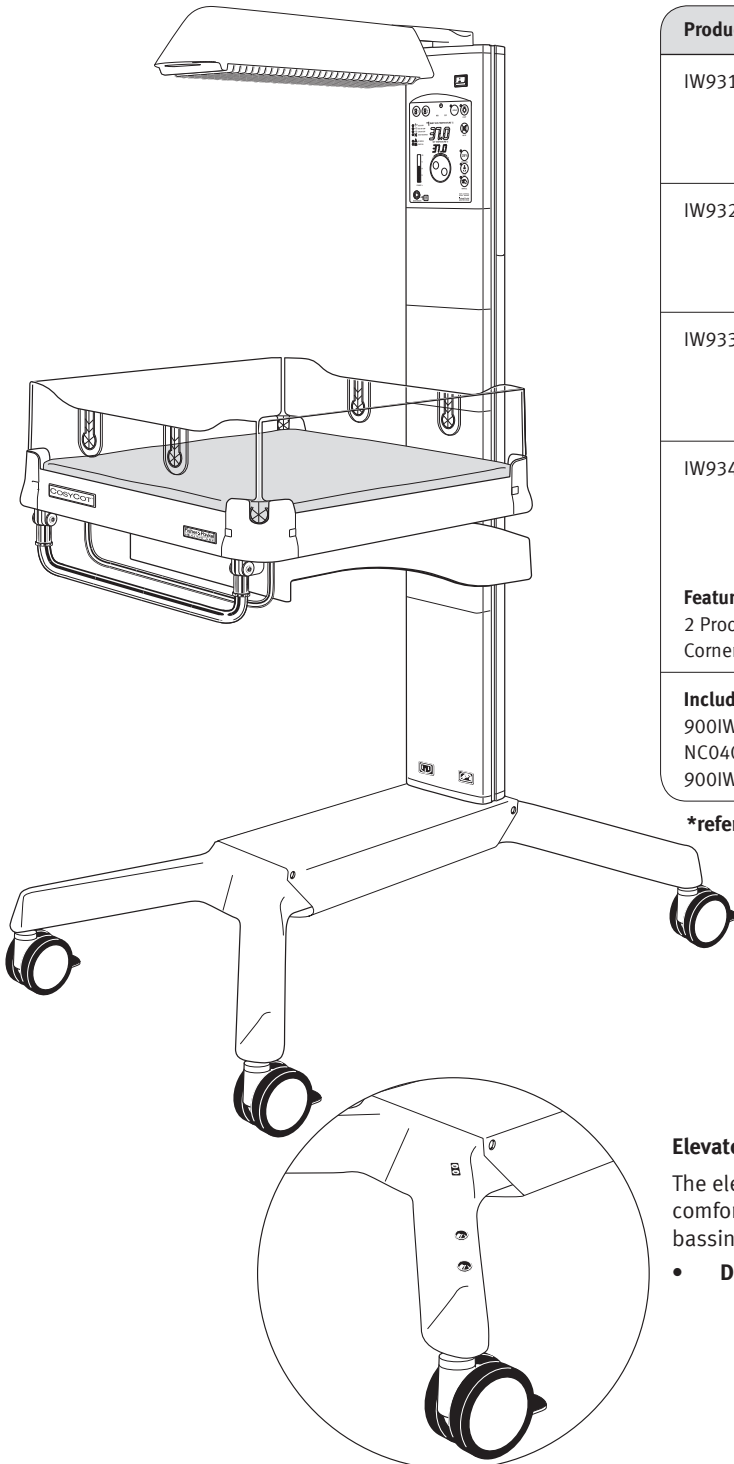
# INFANT WARMERS

## IW930 Series CosyCot™ Infant Warmer

The easily transported fully featured CosyCot™ is suitable for Labour & Delivery and NICUs. Designed with functionality and performance in mind, it has an integrated bassinet, with tilt mechanism and transport handle. Focused heating with one touch controls, ensures ease of use and even irradiance across the mattress. A Prewarm mode allows the warmer to be kept “baby ready” without nuisance alarms.

Complete with CosyGrip™ tube holders and CornerGrips™, the CosyCot™ is configurable with optional accessories: Storage Drawer System, Elevator Base, X-Ray Tray, Phototherapy, Gas and Resuscitation Products.

To customize your CosyCot™ Infant Warmer please refer to the following sections for details of the Infant Warmer accessories available.



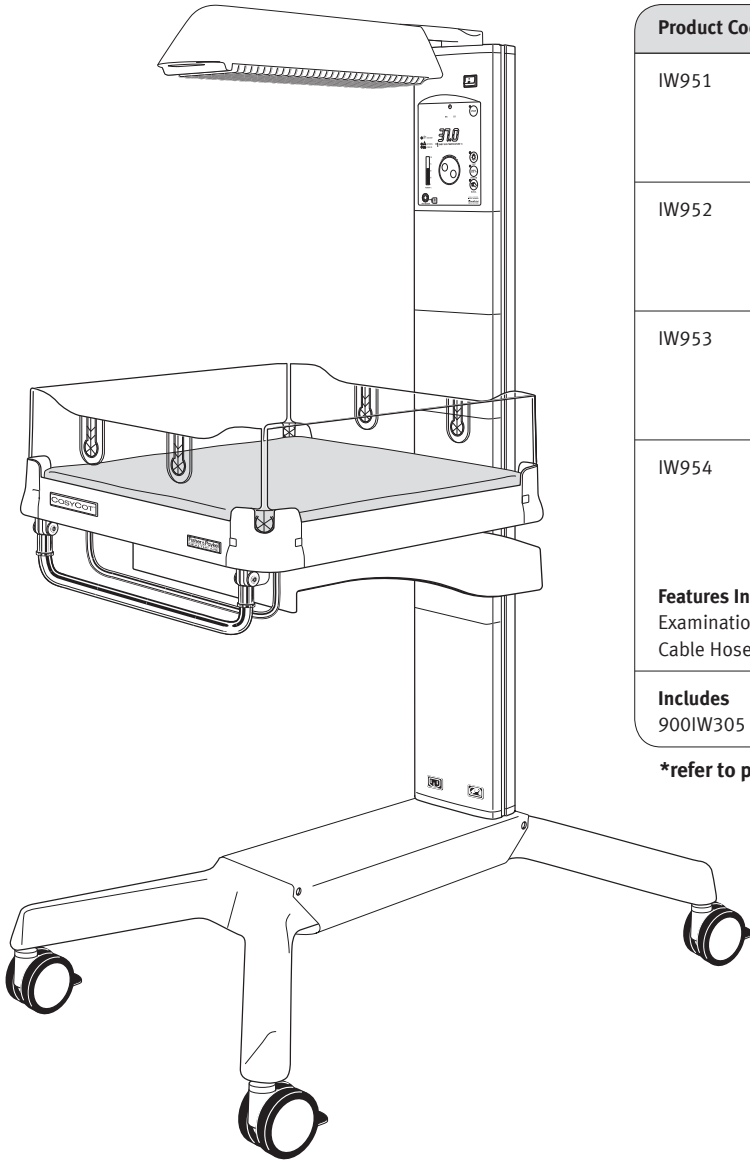
Product Code	Description	
IW931	Baby Controlled CosyCot™ Infant Warmer Prewarm, Baby and Manual Heater Mode	<b>With:</b> Standard Bassinet Standard Mattress Preset Base
IW932	Baby Controlled CosyCot™ Infant Warmer Prewarm, Baby and Manual Heater Mode	<b>With:</b> Standard Bassinet Standard Mattress Elevator Base
IW933	Baby Controlled CosyCot™ Infant Warmer Prewarm, Baby and Manual Heater Mode	<b>With:</b> Long Bassinet Long Mattress Preset Base
IW934	Baby Controlled CosyCot™ Infant Warmer Prewarm, Baby and Manual Heater Mode	<b>With:</b> Long Bassinet Long Mattress Elevator Base
<b>Features Included:</b> 2 Procedure Timers, Examination Light, Apgar Timer, CosyGrip™ Tube Holders, CornerGrip™ Tube Holders, Cable Hose/Hook, Tilt Mechanism, Transport Handle		
<b>Includes</b>		
900IW001	DuoSense™ Skin Sensor	
NC040-10	DaisyDot™ Sensor Cover (10 Pack)	
900IW305	Cable/Hose Hook	

\*refer to page 34 for the model suffix that applies to your country.

### Elevator Base (IW932/IW934/IW952/IW954)

The electric elevator base is designed to provide the ultimate in user comfort. The foot controlled buttons allow you to raise or lower the warmer bassinet from 88cm to 104cm, without disturbing the infant.

- Different voltage options available



## IW950 Series CosyCot™ Infant Warmer

Product Code	Description	With:
IW951	Manual Controlled CosyCot™ Infant Warmer Prewarm and Manual Heater Mode	Standard Bassinet Standard Mattress Fixed Base
IW952	Manual Controlled CosyCot™ Infant Warmer Prewarm and Manual Heater Mode	Standard Bassinet Standard Mattress Elevator Base
IW953	Manual Controlled CosyCot™ Infant Warmer Prewarm and Manual Heater Mode	Long Bassinet Long Mattress Fixed Base
IW954	Manual Controlled CosyCot™ Infant Warmer Prewarm and Manual Heater Mode	Long Bassinet Long Mattress Elevator Base
<b>Features Included:</b> Examination Light, Apgar Timer, CosyGrip™ Tube Holders, CornerGrip™ Tube Holders, Cable Hose/Hook, Tilt Mechanism, Transport Handle		
<b>Includes</b> 900IW305 Cable/Hose Hook		

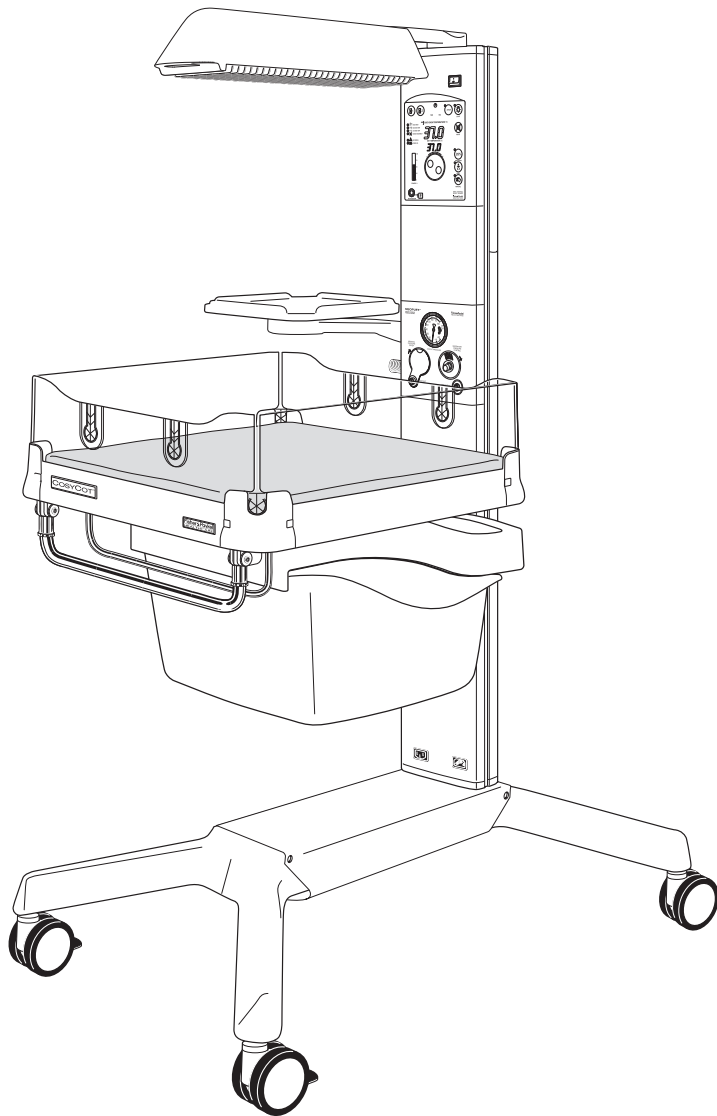
\*refer to page 34 for the model suffix that applies to your country.

# INFANT WARMER ACCESSORY PACKS

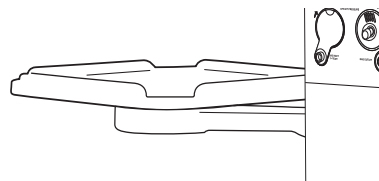
## CosyCot™ Infant Warmer Accessory Pack 1

The CosyCot™ Infant Warmer Accessory packs provide two different basic configurations most commonly used by customers. They provide a good starting point from which to fully customize your Infant Warmer by choosing from our wide range of accessories.

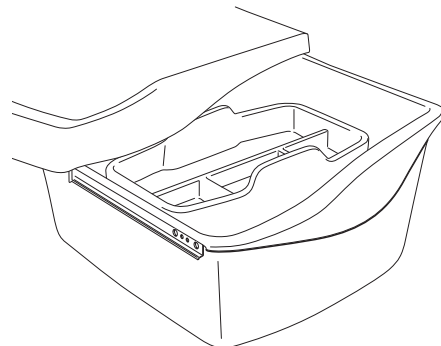
**Note: Accessory Packs are factory fitted to your choice of CosyCot™ Infant Warmer and so can only be purchased with a CosyCot™.**



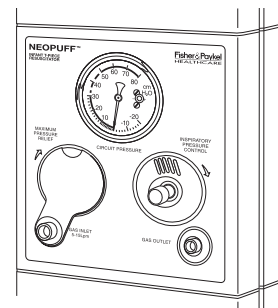
Product Code	Description
900IW601	Accessory Pack One
<b>Includes</b>	
900IW401	Side Shelf and Mounting Block
900IW408	Storage Drawer System
900IW130	Neopuff™ Infant T-Piece Resuscitator IW Module
900RD010	Single Use Resuscitation kit without Neonatal mask 10/bx



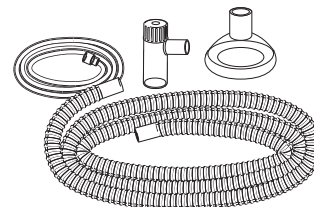
Side Shelf and Mounting Block



Storage Drawer System



Neopuff™ Infant T-Piece Resuscitator IW Module

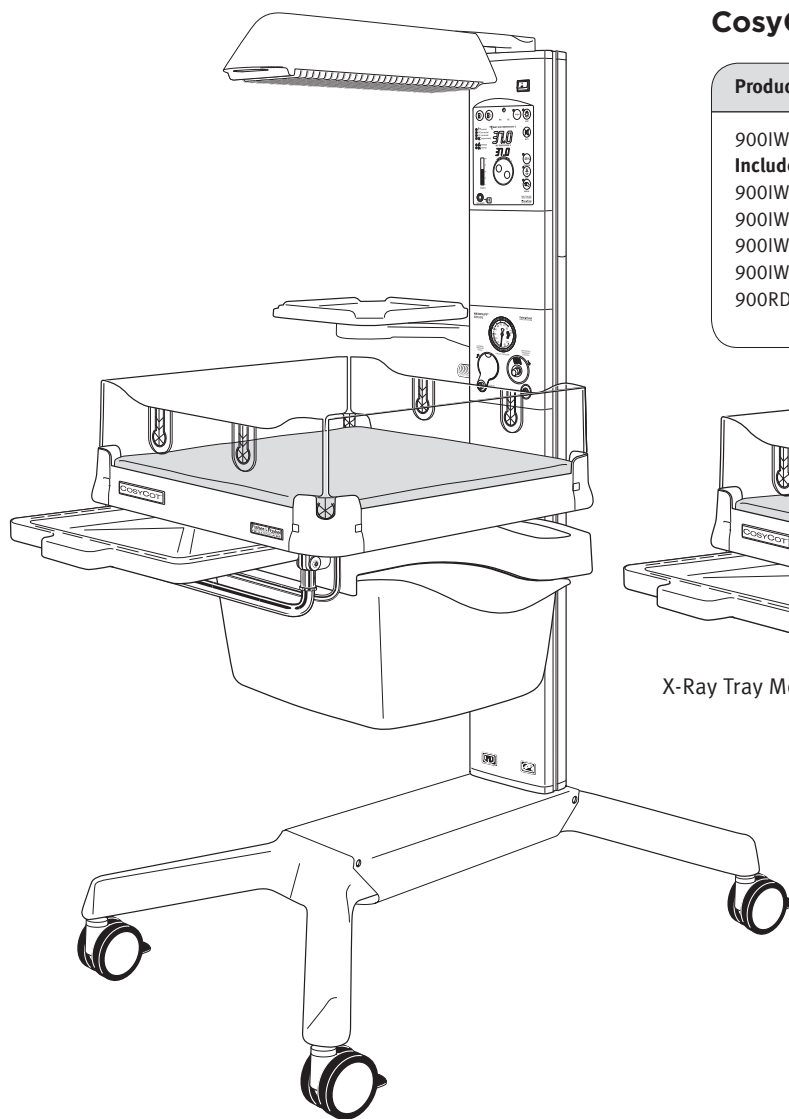


Single Use Resuscitaion Kit

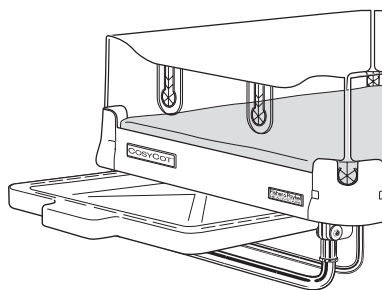
Product Code	Description
900IW601E	Infant Warmer Accessory Pack One - English
900IW601F	Infant Warmer Accessory Pack One - French
900IW601G	Infant Warmer Accessory Pack One - German
900IW601L	Infant Warmer Accessory Pack One - Italian
900IW601N	Infant Warmer Accessory Pack One - Dutch
900IW601S	Infant Warmer Accessory Pack One - Spanish
900IW601T	Infant Warmer Accessory Pack One - Portuguese
900IW601V	Infant Warmer Accessory Pack One - Norwegian
900IW601W	Infant Warmer Accessory Pack One - Swedish
900IW601Z	Infant Warmer Accessory Pack One - Chinese
900IW601M	Infant Warmer Accessory Pack One - Finnish
900IW601D	Infant Warmer Accessory Pack One - Dutch



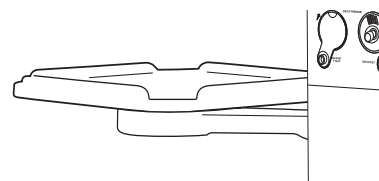
## CosyCot™ Infant Warmer Accessory Pack 2



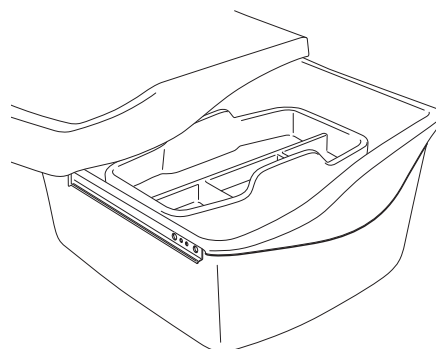
Product Code	Description
900IW602	Accessory Pack Two
<b>Includes</b>	
900IW401	Side Shelf and Mounting Block
900IW408	Storage Drawer System
900IW205	X-Ray tray Module
900IW130	Neopuff™ Infant T-Piece Resuscitator IW Module
900RD010	Single Use Resuscitation kit without Neonatal mask 10/bx



X-Ray Tray Module

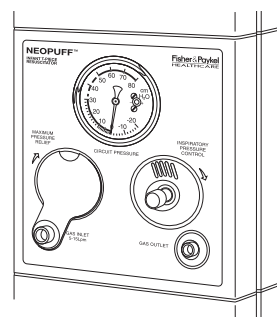


Side Shelf and Mounting Block

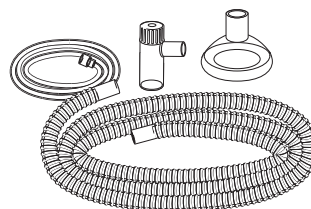


Storage Drawer System

Product Code	Description
900IW602E	Infant Warmer Accessory Pack Two - English
900IW602F	Infant Warmer Accessory Pack Two - French
900IW602G	Infant Warmer Accessory Pack Two - German
900IW602L	Infant Warmer Accessory Pack Two - Italian
900IW602N	Infant Warmer Accessory Pack Two - Dutch
900IW602S	Infant Warmer Accessory Pack Two - Spanish
900IW602T	Infant Warmer Accessory Pack Two - Portuguese
900IW602V	Infant Warmer Accessory Pack Two - Norwegian
900IW602W	Infant Warmer Accessory Pack Two - Swedish
900IW602Z	Infant Warmer Accessory Pack Two - Chinese
900IW602M	Infant Warmer Accessory Pack Two - Finnish
900IW602D	Infant Warmer Accessory Pack Two - Dutch

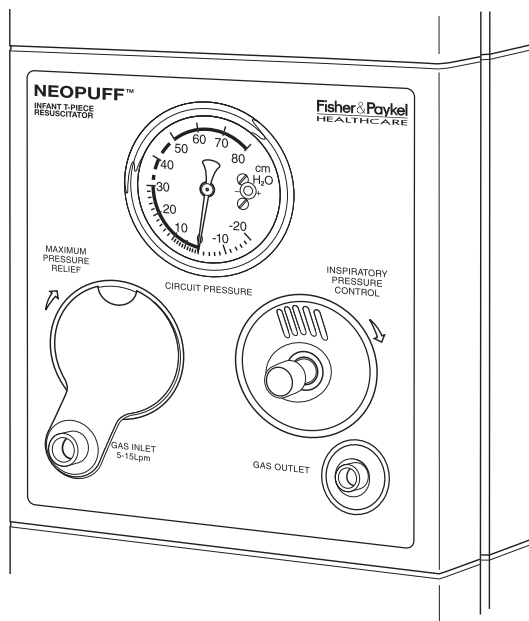


Neopuff™ Infant T-Piece Resuscitator IW Module



Single Use Resuscitation Kit

# NEOPUFF™ INFANT T-PIECE RESUSCITATOR



Integrated Neopuff™ Module

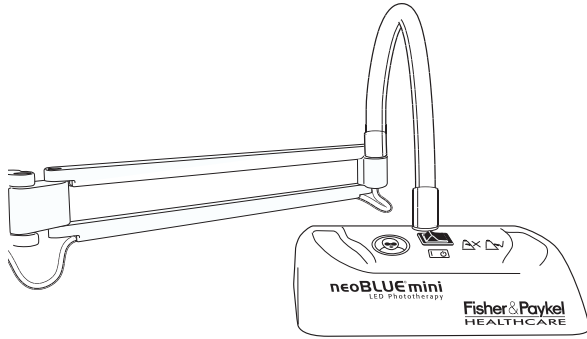
## Neopuff™ Infant T-Piece Resuscitator IW Module

The Neopuff™ Infant Resuscitator is available as an integrated module inserted into the front of the CosyCot™ Infant Warmer.

An added feature to the CosyCot™ Infant Warmer, this allows easy access for the operator in resuscitating the patient, especially during transport.

**Please refer to the Neopuff Product Catalogue REF 185044547 for further information regarding resuscitation products.**

Product Code	Description
900IW130D	Neopuff™ Infant T-Piece Resuscitator IW Module - DANISH
900IW130E	Neopuff™ Infant T-Piece Resuscitator IW Module - ENGLISH
900IW130F	Neopuff™ Infant T-Piece Resuscitator IW Module - FRENCH
900IW130G	Perivent™ Infant T-Piece Resuscitator IW Module - GERMAN
900IW130J	Neopuff™ Infant T-Piece Resuscitator IW Module - JAPANESE
900IW130L	Neopuff™ Infant T-Piece Resuscitator IW Module - ITALIAN
900IW130M	Neopuff™ Infant T-Piece Resuscitator IW Module - FINNISH
900IW130N	Neopuff™ Infant T-Piece Resuscitator IW Module - DUTCH
900IW130S	Neopuff™ Infant T-Piece Resuscitator IW Module - SPANISH
900IW130T	Neopuff™ Infant T-Piece Resuscitator IW Module - PORTUGUESE
900IW130V	Neopuff™ Infant T-Piece Resuscitator IW Module - NORWEGIAN
900IW130W	Neopuff™ Infant T-Piece Resuscitator IW Module - SWEDISH
900IW130Z	Neopuff™ Infant T-Piece Resuscitator IW Module - CHINESE



## neoBLUE® mini LED Phototherapy

The neoBLUE® mini LED Phototherapy system delivers a narrow band of high-intensity blue light via light emitting diodes (LEDs) to provide treatment for neonatal hyperbilirubinemia in the hospital setting. The neoBLUE® mini provides a uniform coverage over defined treatment areas and has a flexible arm for easy positioning.

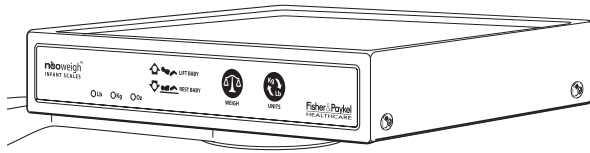
By utilizing the Dovetail Channel Rail Bracket 900IW314, the neoBLUE® mini can be mounted on to either side of the CosyCot™ Infant Warmer column. The neoBLUE® mini also mounts easily on to the Mobile Infant Warmers using the pole clamp bracket 900MR030. The neoBLUE® mini can also be easily removed when not in use or needed on another CosyCot™ Infant Warmer.

- Includes 900IW314 Dovetail Channel Rail Bracket

Product Code	Description
900IW510J	neoBLUE® mini LED Phototherapy USA (120V)
900IW510K	neoBLUE® mini LED Phototherapy UK (230V)
900IW510E	neoBLUE® mini LED Phototherapy Europe (230V)
900IW510U	neoBLUE® mini LED Phototherapy Universal (230V)
900IW510A	neoBLUE® mini LED Phototherapy Australia/NZ (230V)

**Note:** Please refer to page 17 for Phototherapy Eyemax

## neoweigh™ Infant Scales

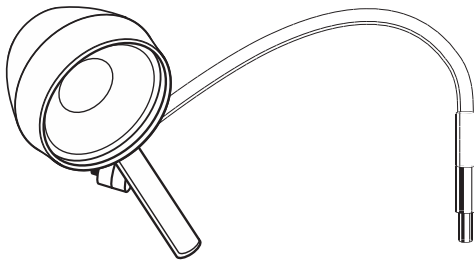


The neoweigh™ Infant Scales are designed especially for the CosyCot™ Infant Warmer, incorporating an in-bed load cell design. While technologically advanced, we have kept the neoweigh™ simple and easy to use with one-touch controls conveniently integrated into a useful side shelf with maximum loading of 15kg (33lb).

- Includes 900IW303 Side Mounting Block.
- **Note:** The scales can only fit the long bassinet.
- **Weighing capacity** 300-8000 grams (0.66-17.6 pounds)
- **Accuracy** 0.010 kilograms (10 grams)  
0.02 pounds (0.32oz)

Product Code	Description
900IW230A	neoweigh™ Infant Scales 230V
900IW230J	neoweigh™ Infant Scales 120V

## neospot™ Procedure Light



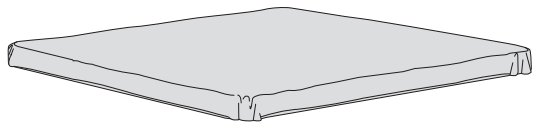
The neospot™ Procedure Light is portable and compact and provides optimum lighting options for the CosyCot™ Infant Warmer.

- **Halogen Bulb-Dichroic 12V/50W.**
- **Use 900IW303 Side mounting block (to be ordered separately).**

Product Code	Description
900IW520A	neospot™ Procedure Light 230V (AUS/NZ)
900IW520E	neospot™ Procedure Light 230V (EU) *
900IW520J	neospot™ Procedure Light 120V (US)
900IW520K	neospot™ Procedure Light 230V (UK)

\* English only manuals

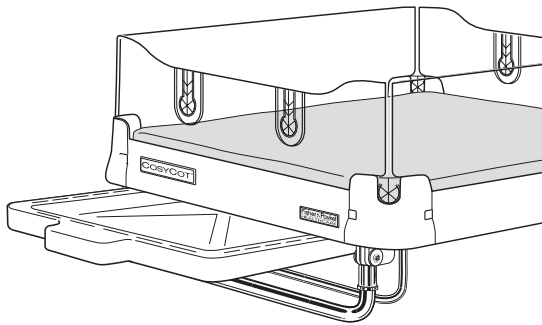
# GENERAL ACCESSORIES



## Mattress

The Mattress is specially designed to reduce heat loss by way of conduction and can be purchased separately. The Mattress is available in two sizes to fit to the appropriate bassinet.

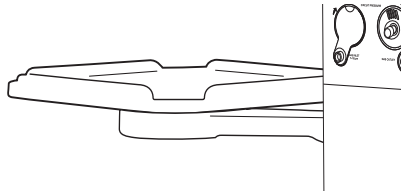
Product Code	Description
900IW201	Mattress - Standard 60 x 60cm
900IW213	Mattress - Long 60 x 70cm



## X-Ray Tray Module

The X-Ray Tray combines a non-slip surface with a co-ordinate grid for accurate placement of the x-ray cassette. The mattress and bassinet base are x-ray transparent. The close proximity of the cassette to the bassinet base ensures high quality images.

Product Code	Description
900IW205	X-Ray Tray

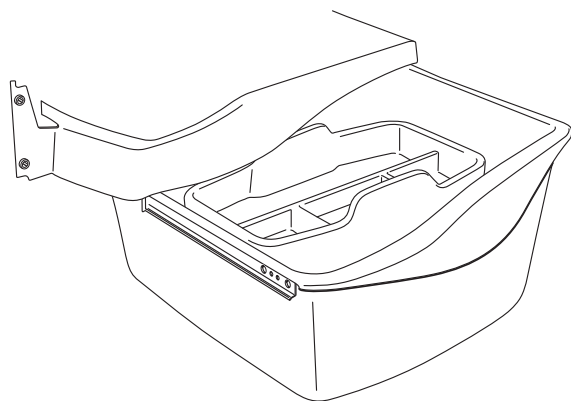


## Side Shelf and Mounting Block

The swivel Side Shelf and Mounting Block provide a stylish, adjustable height storage surface. The raised edges offer support for monitors and other equipment.

<b>Maximum Loading</b>	15kg (33lb)
<b>Dimensions</b>	34x30cm (13.4" x 11.8")

Product Code	Description
900IW401	Side Shelf
<b>Includes</b>	
900IW303	Mounting Block



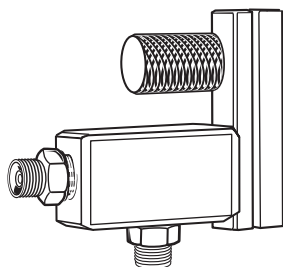
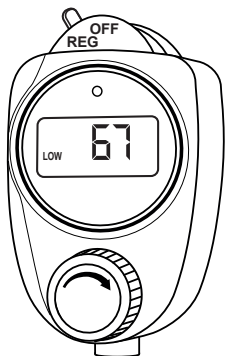
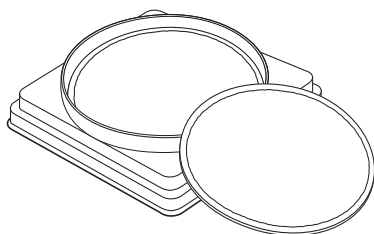
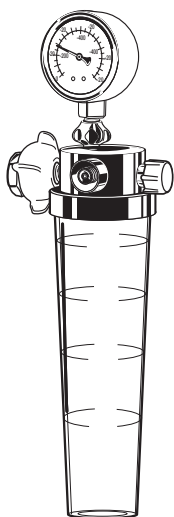
## Storage Drawer System

The Storage Drawer System provides a convenient storage for a wide range of equipment. The drawer slides both ways for easy access from both sides of the unit.

It comes with a multi-purpose tray to hold small items. The drawer and tray comes in a gloss finish for ease of cleaning.

<b>Maximum loading</b>	7kg (15.4lbs)
<b>Internal Dimensions</b>	54.5 x 46 x 28cm (21.4" x 18.1" x 11")
<b>Tray Dimensions</b>	40.5 x 20 x 20.5cm (15.9" x 7.9" x 8")
<b>Volume</b>	48L (13gal)

Product Code	Description
900IW408	Storage Drawer System



## Venturi Suction Units

The Venturi Suction Unit is an oxygen driven suction unit that attaches to the Gas Accessory Block Oxygen or the Gas Low Pressure Module Oxygen providing variable suction options. It comes complete with two additional oxygen outlets to fix oxygen flowmeters (see page 29).

- **Supply pressure from** 350 - 450 kPa (50-65 psi)
- **Pressure range** 0 - 200mmHg (0-26kPa)
- **Receiver jar** 400ml (0.1gal)

**Note: Requires either a Gas Accessory Block (page 28) or Gas Low Pressure Module (page 29) to be fitted to the CosyCot™ Infant Warmer**

Product Code	Description
900IW121	Venturi Suction (AUST)
900IW123	Venturi Suction (DISS)

## Bacteria Filter

A standard Millipore brand filter for the Venturi Suction Unit.

Product Code	Description
043042144	Bacteria Filter Available in packs of 25.

## Vacuum Regulator

Designed for wall suction with an operating range of 0-160mm Hg (0-21kPa). The Analog gauge is designed for clarity and appearance and the digital regulator has an easy to read display with an accuracy within +/- 1%.

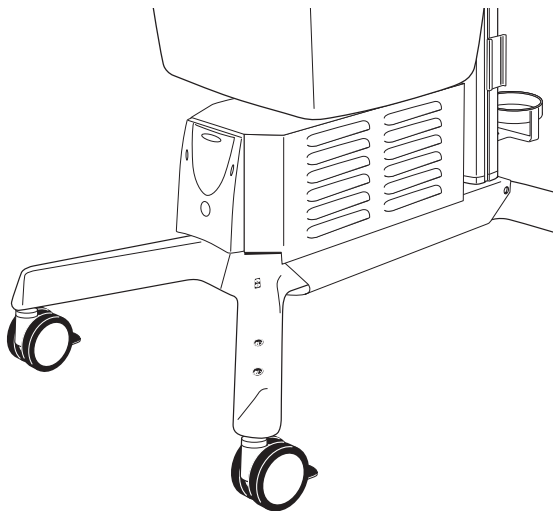
**Note: Requires a suction block to be fitted to the CosyCot™ Infant Warmer.**

Product Code	Description
900IW124A	Digital Vacuum Regulator (AUST)
900IW124D	Digital Vacuum Regulator (DISS)
900IW124N	Digital Vacuum Regulator (NIST)
900IW125A	Analog Vacuum Regulator (AUST)
900IW125D	Analog Vacuum Regulator (DISS)
900IW125N	Analog Vacuum Regulator (NIST)

## Suction Blocks

The gas accessory block suction provides a suction access point on the warmer column and allows a vacuum regulator to be fitted to the warmer.

Product Code	Description
900IW181	Suction Block (DISS)
900IW182	Suction Block (NIST)
900IW183	Suction Block (AUST)



## Uninterruptible Power Supply (UPS)

Useful for maintaining the Neutral Thermal Environment of infants during transportation, the UPS provides constant warming for up to 8 minutes at full power or 20 minutes at 50% power.

The UPS can be installed with the Storage Drawer System (900IW408).

**Two components are required to provide an Uninterruptible Power Supply (UPS) to a 900 Series CosyCot™ Infant Warmer; the UPS battery itself and a mounting kit to secure it to the CosyCot™.**

**1) For the UPS battery - contact your Fisher and Paykel Healthcare Representative or contact Powervar direct**

**North America:**

POWERVAR, INC.

(800) 369-7179 or (847) 596-7000

Fax (847) 596-7100

**Europe:**

POWERVAR, Ltd.

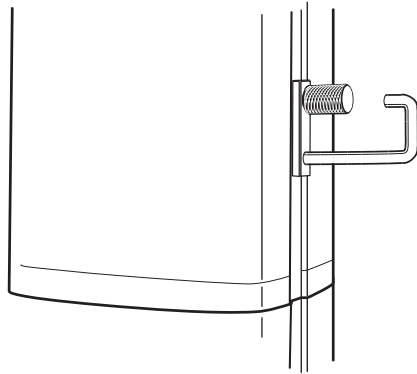
Phone +44 1793 786050

Fax +44 1793 782250

[www.powervar.com](http://www.powervar.com)

**2) For the UPS Mounting Kit - order from Fisher and Paykel Healthcare using table below.**

Product Code	Description
900IW312A	UPS Mounting Kit for Powervar Model - ABCE800-22IEC (230V)
<b>Includes</b>	Shroud Power Cable Spacer Long x2 (for mounting UPS) Spacer Short Installation Instructions
900IW312J	UPS Mounting Kit for Model - ABCE800-11IEC (120V)
<b>Includes</b>	Shroud Power Cable Spacer Long x2 (for mounting UPS) Spacer Short Installation Instructions



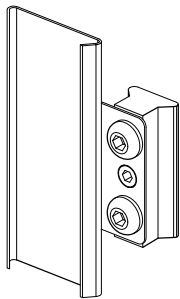
## Cable/Hose Hook

The Cable/Hose Hook provides an adjustable point for convenient, tidy storage of power cables, oxygen and air hoses, especially useful during transportation.

**Maximum Loading** 5kg (11lb)

- **Included with all IW900 series Infant Warmers**

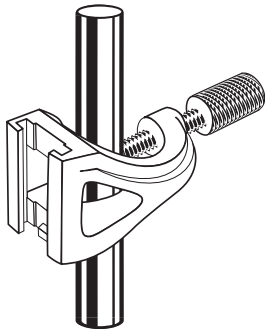
Product Code	Description
900IW305	Cable/Hose Hook



## Suction Canister Mounting Block

The Suction Canister Mounting Block provides an adjustable mounting point for common suction canister holders (e.g. Abbot, Baxter).

Product Code	Description
900IW309	Suction Canister Mounting Block

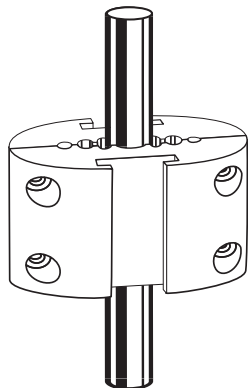


## C-Clamp

The C-Clamp is available for mounting accessories onto the Short Mounting Pole (900IW301) or the Long Mounting Pole (900IW302).

- **Includes a clip to allow permanent attachment of accessories to the clamp**
- **This accessory is universal to all Fisher & Paykel Healthcare Products**

Product Code	Description
900MR170	C-Clamp



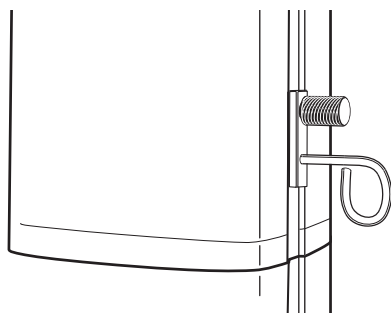
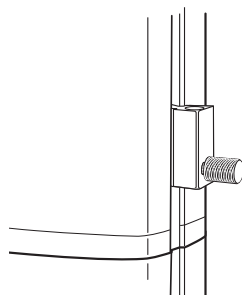
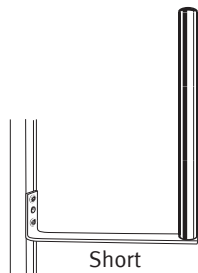
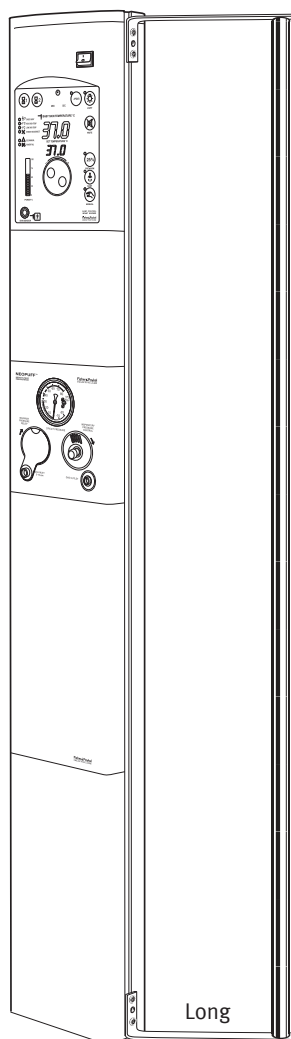
## Pole Clamp

A more permanent attachment for mounting a humidifier to a long or short IV Pole. Compatible with a 30mm parallel channel rail IV pole.

- **This accessory is universal to all Fisher & Paykel Healthcare Products**

Product Code	Description
900MR030	Pole Clamp

# MOUNTING ACCESSORIES



## Mounting Poles

The Mounting Poles provide a mounting point for a wide range of equipment and accessories i.e. syringe drivers, fluid pumps, humidifiers, monitors etc.

**Diameter** Short Mounting Pole 2.5 cm (1")  
Long Mounting Pole 2.5 cm (1")

**Length** Short Mounting Pole 20cm (8")  
Long Mounting Pole 140cm (55")

Product Code	Description
900IW301	Short Mounting Pole
900IW302	Long Mounting Pole

## Side Mounting Block

The Side Mounting Block provides an adjustable height mounting point for the Side Shelf (900IW303) and neoweigh Infant Scales (900IW230).

Product Code	Description
900IW303	Side Mounting Block

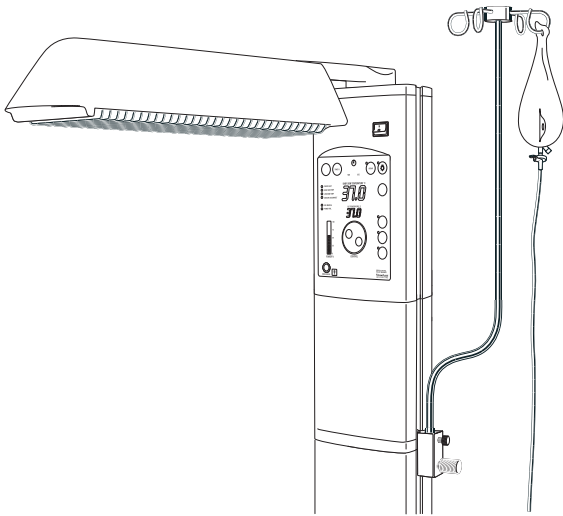
## Accessory Hook

The Accessory Hook provides an adjustable mounting point on the warmer column or bassinet base for fluid and drainage bags.

**Maximum Loading** 2kg (4.4lb)

Product Code	Description
900IW306	Accessory Hook

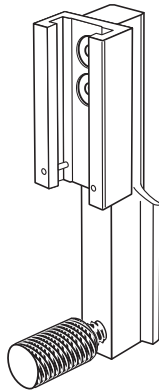




### IV Pole - Quad Hook Bent

The IV Pole – Quad Hook Bent provides an accessory for hanging up to four IV bags/bottles and can be used on the same side as the long mounting pole. This stainless steel pole is 64cm (25.2”) long, with a height adjustable mounting block included.

Product Code	Description
900IW313	IV Pole – Quad Hook Bent



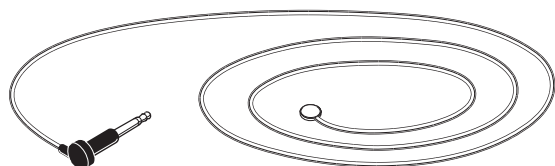
### Dovetail Channel Rail Bracket

The Dovetail Channel Rail Bracket provides an adjustable mounting point for the neoBLUE®mini Phototherapy lamp (900IW510).

Product Code	Description
900IW314	Dovetail Channel Rail Bracket

# THERMAL MANAGEMENT ACCESSORIES

## DuoSense™ Reusable Skin Sensor

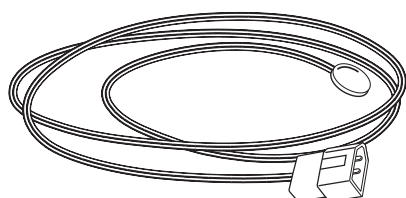


The DuoSense™ Skin Sensor utilises two independent thermistors that are continuously compared to ensure accuracy and safety in temperature control. The 900IW001 now has a stronger cable with triple kevlar stranding for extended durability.

- **Length 1.6m (63")**
- **Reusable**
- **Included with Baby Controlled Warmers (IW910, IW931, IW932, IW933, IW934 AND IW980)**

Product Code	Description
900IW001	DuoSense™ Skin Sensor

## SureSense™ Single Use Temperature Sensor



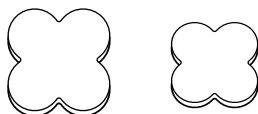
SureSense™

The SureSense™ is a single patient use temperature sensor designed for accurate temperature measurement with a thermistor accuracy of +/- 0.1°C accuracy.

- **Use with Reusable Adaptor 900IW003**

Product Code	Description
NC020-20	SureSense™ Single Use Temperature Sensor (20 pack)
NC021-20	SureSense™ Single Use Temperature Sensor (20 pack) US

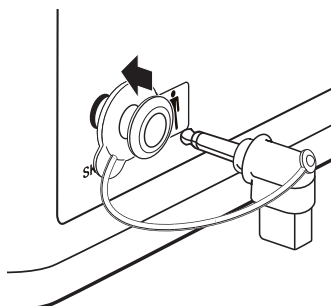
## DaisyDot™ and DaisyDot mini™ Sensor Covers



The DaisyDot™ covers are single baby multi use items, with reflective and insulative properties to protect the skin sensor from external sources of heat. The petal design minimises sensor cover lift whilst providing an exit points for the sensor cable.

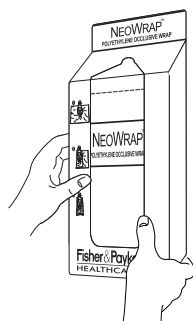
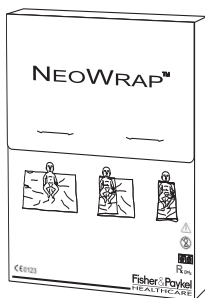
Product Code	Description
NC040-10	DaisyDot™ Sensor Cover (10 pack)
NC041-10	DaisyDot mini™ Sensor Cover (10 pack)

## Reusable adaptor for SureSense™ temperature Sensor



The Reusable adaptor for the single use temperature sensor, SureSense™, is designed with a leash to prevent the adaptor from becoming dislodged from the Fisher & Paykel Healthcare infant warmers.

Product Code	Description
900IW003	Reusable adaptor for SureSense™ sensor

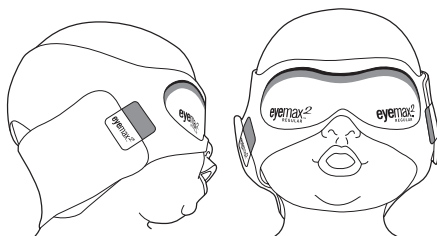


## NeoWrap™ Occlusive Wrap

- **Effective in reducing postnatal temperature fall in very low birth-weight infants<sup>1</sup>**
- **Helps to reduce evaporative heat loss**
- **Allows radiant heat penetration**
- **Transparent, appropriate size**
- **Clean, biomedical material (ISO 10993-1)**
- **Easy to use**
- **Single Patient use**

1. Vohra, et. al. Effect of polyethylene occlusive wrapping on heat loss in very low birth weight infants at delivery: A randomised trial. J Pediatrics, 1999.

Product Code	Description
NC100-SK	NeoWrap™ Starter Kit
NC100-10	NeoWrap™ (box of 10)
NC100-25	NeoWrap™ (dispensing box of 25)



## Eyemax<sup>2™</sup>

The Eyemax<sup>2™</sup> phototherapy masks are designed to assure comfort and protection for infants during phototherapy treatment.

- **Easy-to-use design**
- **Adjustable band for a perfect fit**
- **Bigger eye pad for less pressure and better UV protection**

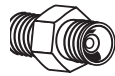
Product Code	Description
NC120-20	Eyemax Regular (box of 20)
NC121-20	Eyemax Premie (box of 20)
NC122-20	Eyemax Micro (box of 20)

**Note: Please refer to page 9 for neoBLUE® Phototherapy unit**

# GAS CONFIGURATION US / AMERICAS / ASIA

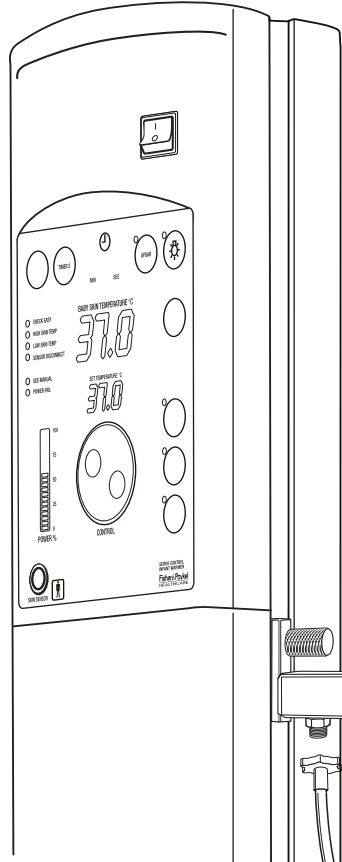
The following is a country specific guideline to assist with oxygen and air configurations:

DISS = US / Americas / Asia



DISS

## Oxygen or Air Gas Accessory Block



### Air Supply

#### Air Flowmeter

900IW118 (DISS)  
900IW118Y (US)

#### Gas Accessory Block Air

900IW152 (DISS)

#### Oxygen Flowmeter

900IW117 (DISS)  
900IW117G (DISS) (US)

#### Gas Accessory Block Oxygen

900IW151 (DISS)

#### Gas Regulator Oxygen

900IW171 (DISS)

Use with  
Dual Cylinder Rack  
900IW310

#### Venturi Suction (Low)

900IW123 Oxygen (DISS)

### Gas Hoses

TO CYLINDER (short) or WALL SUPPLY (long)

#### ACCESSORIES

Product Code	Description	Length	Color
HS-02IO-DHDFC4	Oxygen Hose - Short	2' (550mm)	white
HS-10IO-DHDFC4	Oxygen Hose - Long	10' (3m)	white
HS-02IA-DHDFC4	Air Hose - Short	2' (550mm)	black
HS-10IA-DHDFC4	Air Hose - Long	10' (3m)	black

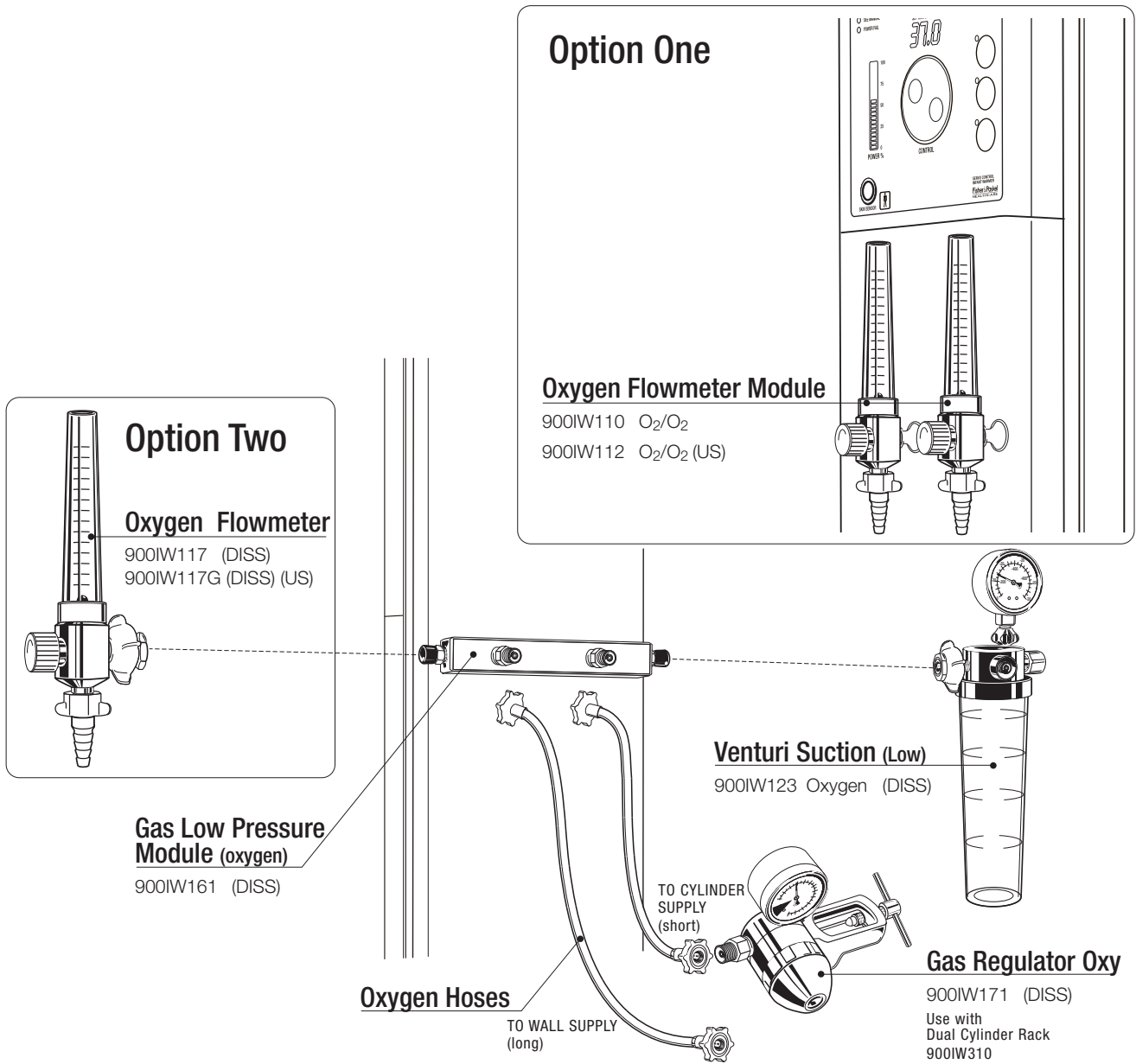
Configuration shown is a guide only. To discuss your options further please contact your Fisher & Paykel Healthcare representative and/or your Biomedical Engineering Dept. Gas fittings are illustrative only.

#### ACCESSORIES (US ONLY)

Product Code	Description	Length	Color
900IW117G	Oxygen Flowmeter		
900IW118Y	Air Flowmeter		
HS-02UO-DHDFC4	Oxygen Hose - Short	2' (550mm)	green
HS-10UO-DHDFC4	Oxygen Hose - Long	10' (3m)	green
HS-02UA-DHDFC4	Air Hose - Short	2' (550mm)	yellow
HS-10UA-DHDFC4	Air Hose - Long	10' (3m)	yellow

Note: Additional US Gas Hoses Available. Refer to pages 31-32 Gas Hose Accessories for details.

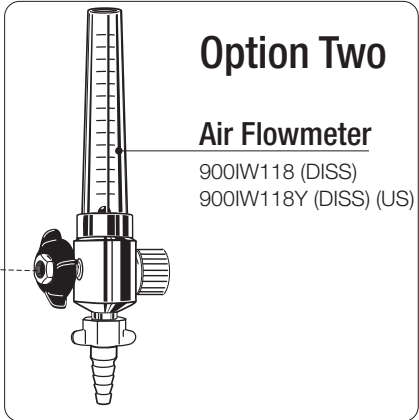
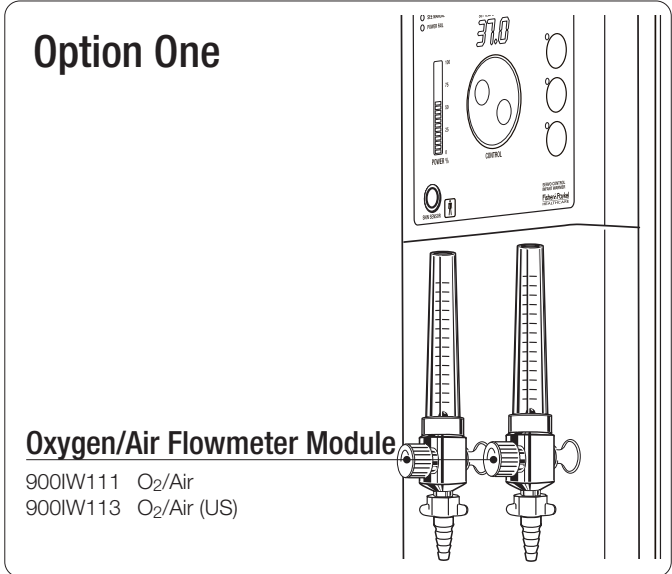
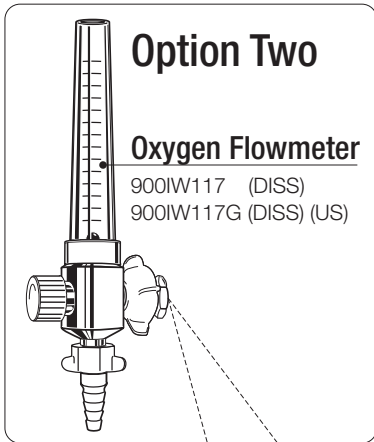
## Oxygen Low Pressure Module



Product Code	Description	Length	Color
HS-02IO-DHDFC4	Oxygen Hose - Short	2' (550mm)	white
HS-10IO-DHDFC4	Oxygen Hose - Long	10' (3m)	white
HS-02UO-DHDFC4	Oxygen Hose - Short (US Only)	2' (550mm)	green
HS-10UO-DHDFC4	Oxygen Hose - Long (US Only)	10' (3m)	green

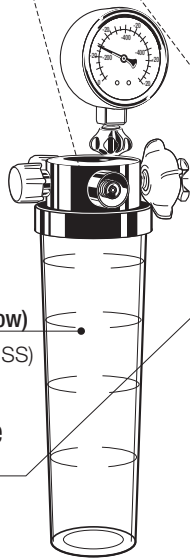
Configuration shown is a guide only. To discuss your options further please contact your Fisher & Paykel Healthcare representative and/or your Biomedical Engineering Dept. Gas fittings are illustrative only.

## Oxygen and Air Low Pressure Module



**Venturi Suction (Low)**  
900W123 Oxygen (DISS)

**Gas Low Pressure Module (Oxygen/Air)**  
900W162 (DISS)



**Oxygen Hoses**

TO CYLINDER SUPPLY (short)

TO WALL SUPPLY (long)

**Air Hoses**

Product Code	Description	Length	Color
HS-02IO-DHDFC4	Oxygen Hose - Short	2' (550mm)	white
HS-10IO-DHDFC4	Oxygen Hose - Long	10' (3m)	white
HS-02UO-DHDFC4	Oxygen Hose - Short (US Only)	2' (550mm)	green
HS-10UO-DHDFC4	Oxygen Hose - Long (US Only)	10' (3m)	green

Product Code	Description	Length	Color
HS-02IA-DHDFC4	Air Hose - Short	2' (550mm)	black
HS-10IA-DHDFC4	Air Hose - Long	10' (3m)	black
HS-02UO-DHDFC4	Air Hose - Short (US Only)	2' (550mm)	yellow
HS-10UA-DHDFC4	Air Hose - Long (US Only)	10' (3m)	yellow

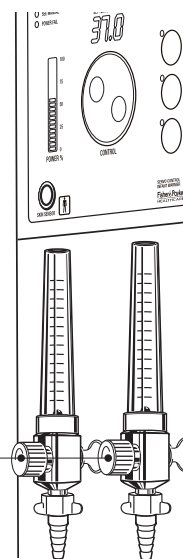
Configuration shown is a guide only. To discuss your options further please contact your Fisher & Paykel Healthcare representative and/or your Biomedical Engineering Dept. Gas fittings are illustrative only.

## Oxygen Gas Supply Module

### Option One

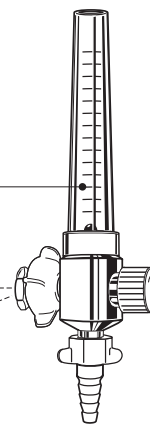
### Oxygen Flowmeter Module

900IW110 O<sub>2</sub>/O<sub>2</sub>



### Option Two

\*Oxygen Flowmeter



### Oxygen Gas Supply Module

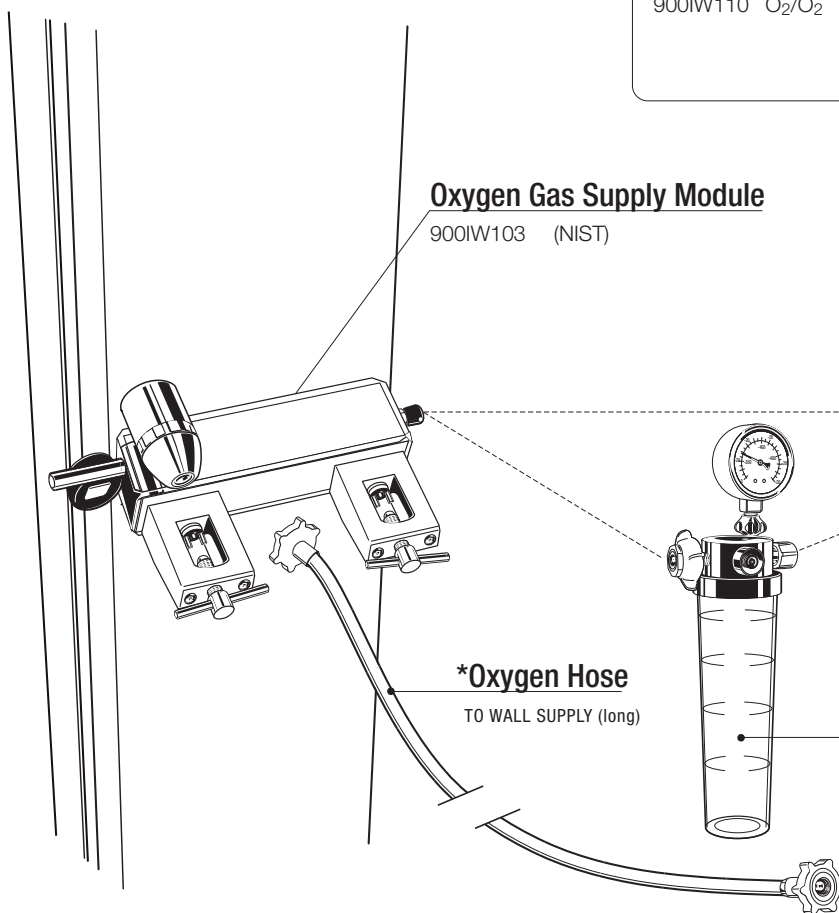
900IW103 (NIST)

\*Oxygen Hose

TO WALL SUPPLY (long)

\*Venturi Suction (Low)

[S800/2FP<sup>3</sup> (UK)]



#### UK OFFICE

Product Code	Description	Length	Color
HS-1010-NFBMC4	Oxygen Hose - Long	10' (3m)	white

Configuration shown is a guide only. To discuss your options further please contact your Fisher & Paykel Healthcare representative and/or your Biomedical Engineering Dept. Gas fittings are illustrative only.

# GAS CONFIGURATION UK / MIDDLE EAST

## Oxygen and Air Gas Supply Module

### Option One

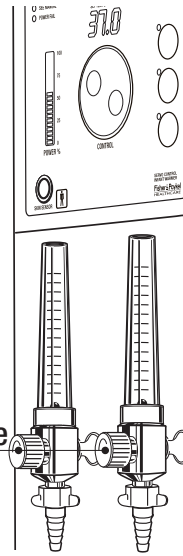
#### Oxygen Flowmeter Module

900IW110 O<sub>2</sub>/O<sub>2</sub>

### Option Two

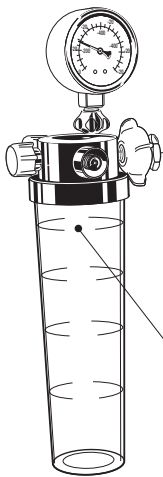
#### Oxygen/Air Flowmeter Module

900IW111 O<sub>2</sub>/Air



### Gas Accessory Block

900IW153K (UK)  
For Suction / Single Flow  
meter connection



### Venturi Suction (Low)

[S800/2FP<sup>3</sup> (UK)]

\*Oxygen Hose  
(short)

### Oxygen/Air Gas Supply Module

900IW104 (NIST)

Gas outlets

\*Air Hose

TO WALL SUPPLY (long)

\*Oxygen Hose

TO WALL SUPPLY (long)

UK OFFICE				
Product Code	Description	Length	Color	
HS-1010-NFBMC4	Oxygen Hose - Long	10' (3m)	white	
HS-101A-NFBMC4	Oxygen Hose - Long	10' (3m)	black	

Configuration shown is a guide only. To discuss your options further please contact your Fisher & Paykel Healthcare representative and/or your Biomedical Engineering Dept. Gas fittings are illustrative only.



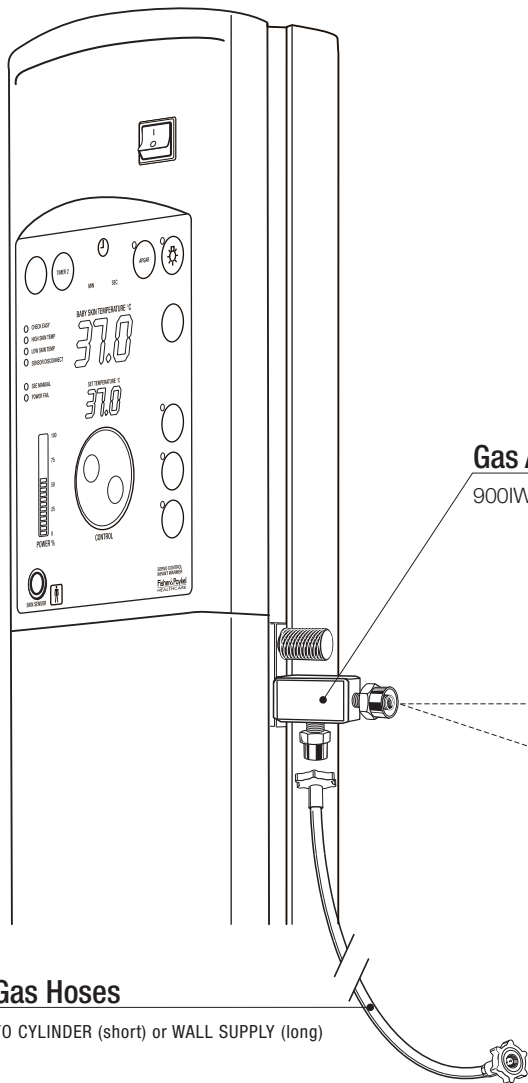
# GAS CONFIGURATION AUSTRALIA /NEW ZEALAND

The following is a country specific guideline to assist with oxygen and air configurations:

AUST = Australia / NZ



AUST



## Oxygen or Air Gas Accessory Block

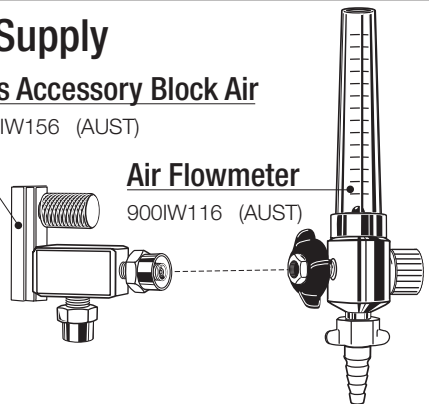
### Air Supply

#### Gas Accessory Block Air

900IW156 (AUST)

#### Air Flowmeter

900IW116 (AUST)

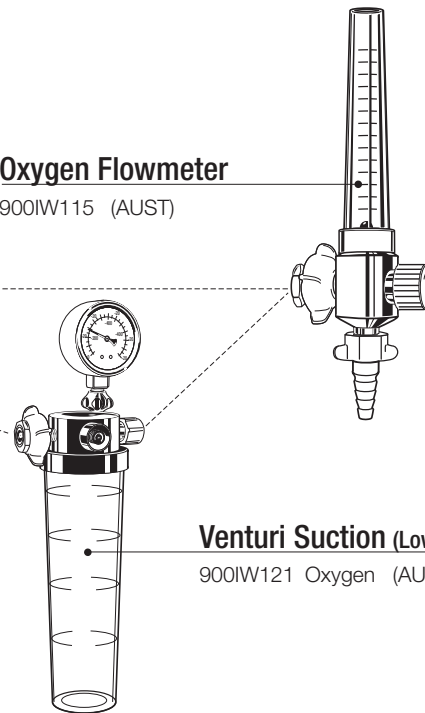


#### Gas Accessory Block Oxygen

900IW155 (AUST)

#### Oxygen Flowmeter

900IW115 (AUST)



#### Venturi Suction (Low)

900IW121 Oxygen (AUST)

### Gas Hoses

TO CYLINDER (short) or WALL SUPPLY (long)

Product Code	Description	Length	Color
043041043	Oxygen Hose - Short	2' (550mm)	white
043041042	Oxygen Hose - Long	10' (3m)	white
043041045	Air Hose - Short	2' (550mm)	black
043041044	Air Hose - Long	10' (3m)	black

Configuration shown is a guide only. To discuss your options further please contact your Fisher & Paykel Healthcare representative and/or your Biomedical Engineering Dept. Gas fittings are illustrative only.

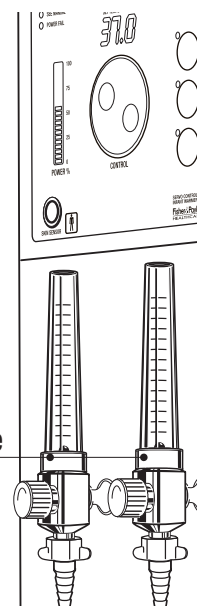
# GAS CONFIGURATION AUSTRALIA / NEW ZEALAND

## Oxygen Low Pressure Module

### Option One

### Oxygen Flowmeter Module

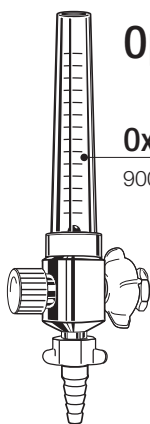
900IW110 O<sub>2</sub>/O<sub>2</sub>



### Option Two

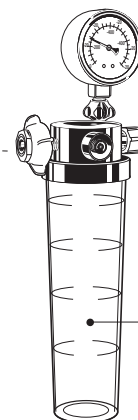
### Oxygen Flowmeter

900IW115 (AUST)



### Gas Low Pressure Module (oxygen)

900IW165 (AUST)



### Venturi Suction (Low)

900IW121 Oxygen (AUST)

### Oxygen Hoses

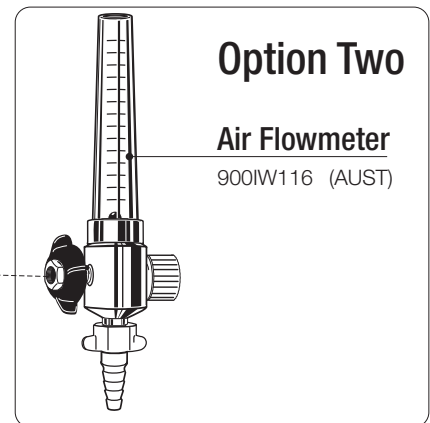
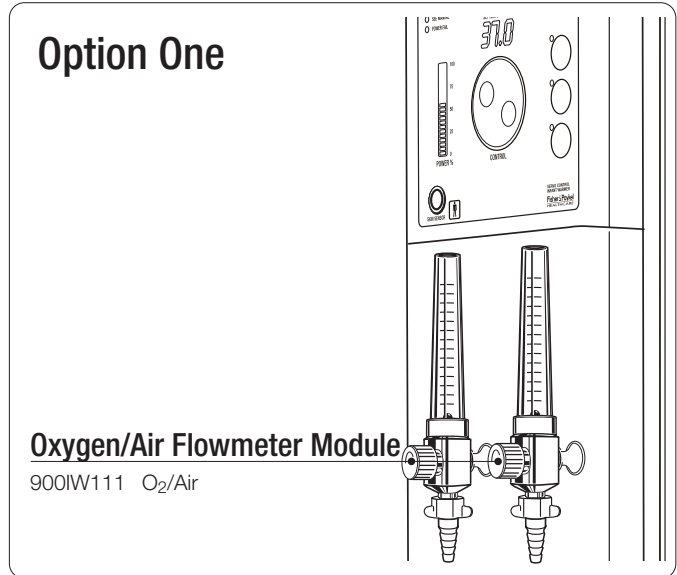
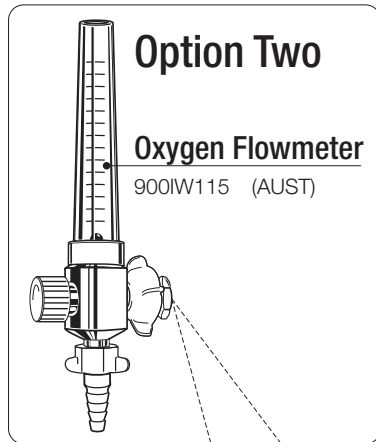
TO WALL SUPPLY (long)

TO CYLINDER SUPPLY (short)

Product Code	Description	Length	Color
043041043	Oxygen Hose - Short	2' (550mm)	white
043041042	Oxygen Hose - Long	10' (3m)	white

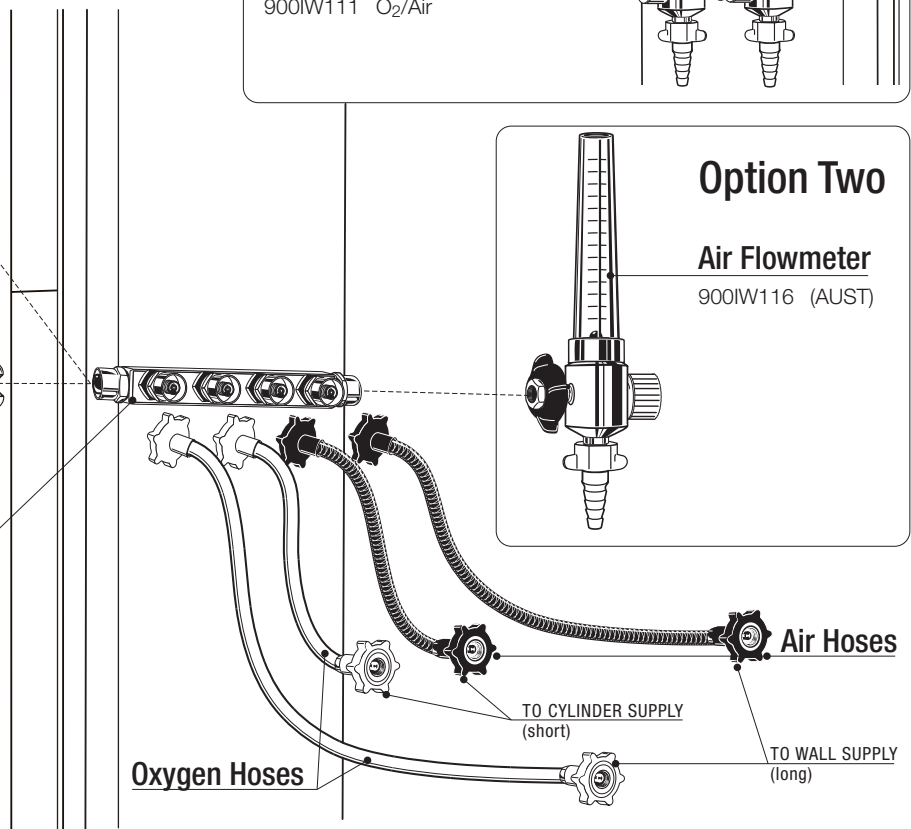
Configuration shown is a guide only. To discuss your options further please contact your Fisher & Paykel Healthcare representative and/or your Biomedical Engineering Dept. Gas fittings are illustrative only.

## Oxygen and Air Low Pressure Module



**Venturi Suction (Low)**  
900IW121 Oxygen (AUST)

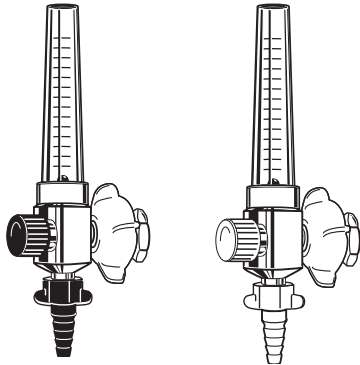
**Gas Low Pressure Module (Oxygen/Air)**  
900IW166 (AUST)



Product Code	Description	Length	Color
043041043	Oxygen Hose - Short	2' (550mm)	white
043041042	Oxygen Hose - Long	10' (3m)	white
043041045	Air Hose - Short	2' (550mm)	black
043041044	Air Hose - Long	10' (3m)	black

Configuration shown is a guide only. To discuss your options further please contact your Fisher & Paykel Healthcare representative and/or your Biomedical Engineering Dept. Gas fittings are illustrative only.

# GAS FLOWMETERS



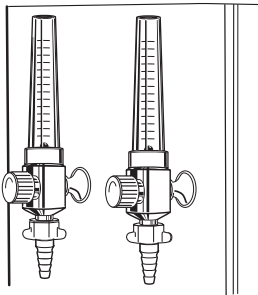
## Oxygen and Air Flowmeters

Oxygen and Air Flowmeters are available on an individual basis. They come complete with color coded nipples and control knobs.

- **Flowrate 0-15L/min**
- **Includes flowmeter nipples (white, black, green or yellow)**

**Note: Requires either a Gas Accessory Block (page 28) or Gas Low Pressure Module (page 29) to be fitted to the CosyCot™ Infant Warmer**

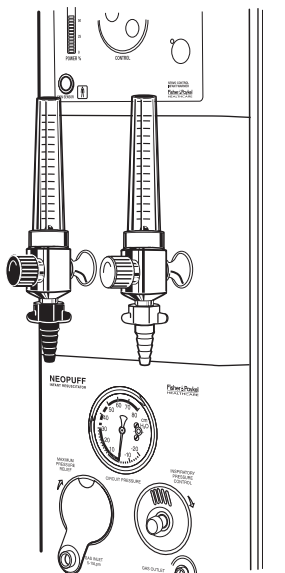
Product Code	Description	Color
900IW115	Flowmeter Oxygen (AUST)	
900IW116	Flowmeter Air (AUST)	
900IW117	Flowmeter Oxygen (DISS)	white
900IW118	Flowmeter Air (DISS)	black
900IW117G	Flowmeter Oxygen (DISS)	green
900IW118Y	Flowmeter Air (DISS)	yellow



## Flowmeter Modules

The Flowmeter Modules provide a controlled flow of gas (air and/ or oxygen) from two panel mounted Flowmeters (0-15L/min). This integrated module fits cleanly into the column of the CosyCot™ Infant Warmer and includes color-coded flowmeter nipples and control knobs.

- **Flowrate 0-15L/min**
- **Factory fitted when ordered with a CosyCot™ Infant Warmer**
- **Includes flowmeter nipples (white, black, green or yellow)**

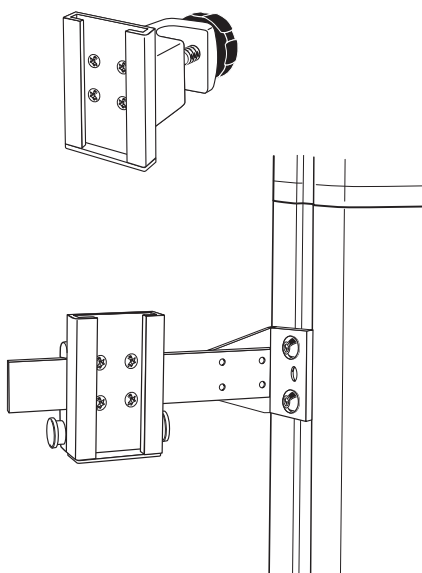
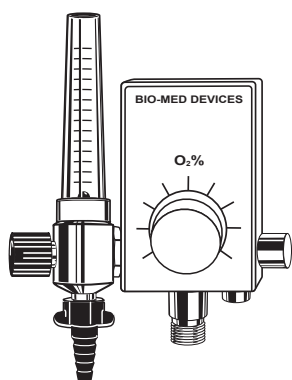
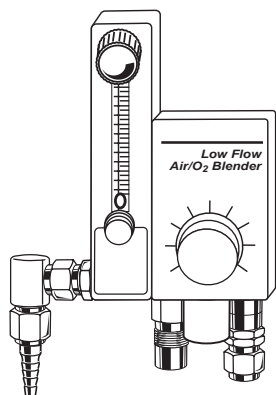


### OXYGEN / OXYGEN

Product Code	Description	Color
900IW110	Oxy/Oxy Flowmeter Module	
900IW112	Oxy/Oxy Flowmeter Module	green

### OXYGEN / AIR

Product Code	Description	Color
900IW111	Oxy/Air Flowmeter Module	
900IW113	Oxy/Air Flowmeter Module	yellow



## Gas Blenders

Gas Blenders are available on an individual basis. They come complete with color coded nipples and control knobs.

- **Flowrate**      **2-16 L/min (Bird)**  
                         **0-15 L/min (Bio-Med)**
- **Includes flowmeter nipples (green or white)**

**Note: Requires 900IW320 Bird Bracket Blender Complete or BC510-01 Bird MBlender Pole Mount Bracket to be fitted to the CosyCot™ Infant Warmer.**

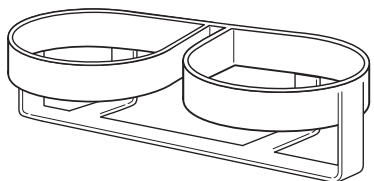
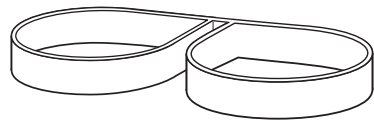
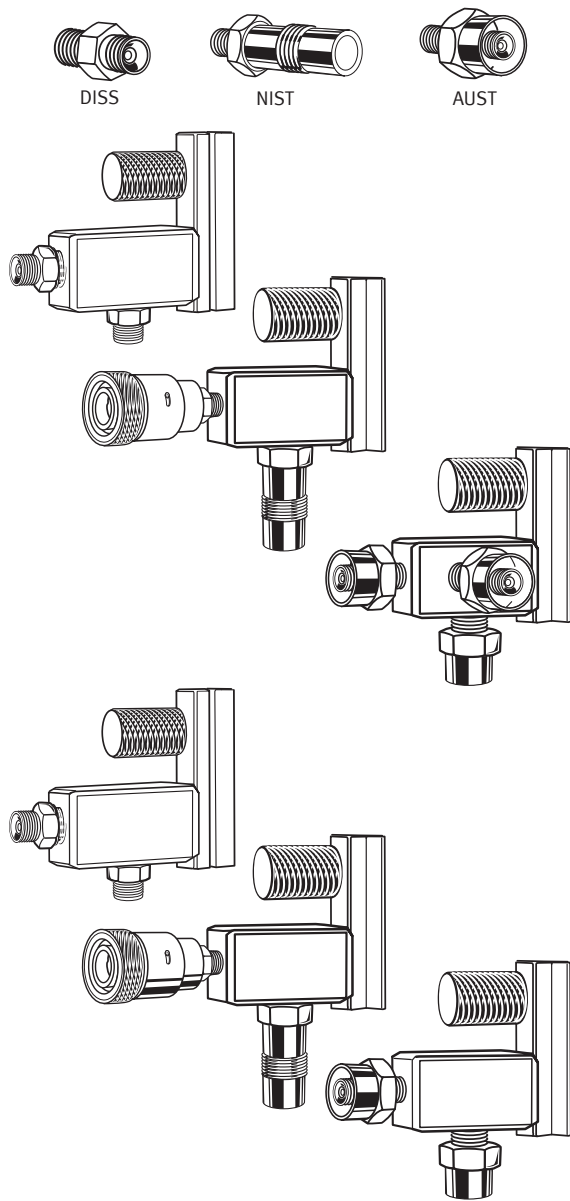
Product Code	Description	Color
BC501-01	Blender Oxy/Air Bird (DISS)	green
BC502-01	Blender Oxy/Air Bird (NIST)	
BC503-01	Blender Oxy/Air Bird (AUST)	
BC506-01	Blender Oxy/Air Bio-Med (DISS)	green
BC507-01	Blender Oxy/Air Bio-Med (DISS)	white

## Gas Blender Brackets

The BC510-01 Bird MBlender Pole Mount Bracket and 900IW320 Bird Bracket Blender Complete provide a mounting point for the Gas Blenders that can be used on either side of the CosyCot™ Infant Warmer.

Product Code	Description
BC510-01	Bird MBlender Pole Mount Bracket
900IW320	Bracket Bird Blender Complete

# GAS SUPPLY ACCESSORIES



## Gas Accessory Blocks

The Gas Accessory Block mounts onto the CosyCot™ Infant Warmer column. The adjustable height feature provides a convenient oxygen outlet supplied from either a Gas Supply Module or regulated hospital pipeline systems.

- **Single point gas source from gas supply module, gas bottle or regulated hospital pipeline connection.**

**Note: Requires suitable gas hose (see page 31)**

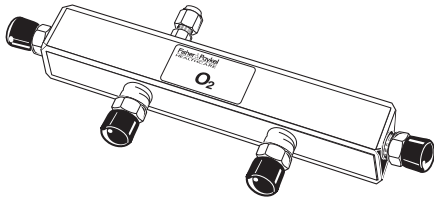
OXYGEN	
Product Code	Description
900IW151	Gas Accessory Block (DISS)
900IW153	Gas Accessory Block (NIST) (shraeder outlets)
900IW153K	Gas Accessory Block (UK only - for OxyLitre)
900IW155	Gas Accessory Block (AUST) (has two inlets)

AIR	
Product Code	Description
900IW152	Gas Accessory Block (DISS)
900IW154	Gas Accessory Block (NIST) (shraeder outlets)
900IW156	Gas Accessory Block (AUST)

## Cylinder Rack

The Dual Cylinder Racks allow auxiliary gas cylinders to be mounted on the back of the CosyCot™ column. These are available in both single and dual cylinder configurations.

Product Code	Description
900IW310	Dual Cylinder Rack (for cylinders up to 117mm diameter)
900IW311	Single Cylinder Rack (for cylinders up to 140mm diameter)



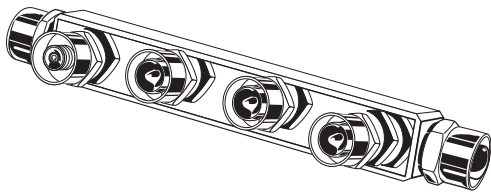
## Gas Low Pressure Modules

The Gas Low Pressure Modules provide a low pressure manifold that fits conveniently on to the back of the CosyCot™ Infant Warmer column.

**If gas cylinders are used a Cylinder Rack 900IW310 or 900IW311 will be required.**

OXYGEN	
Product Code	Description
900IW161	Gas Low Pressure Module (DISS)
900IW163	Gas Low Pressure Module (NIST)
900IW165	Gas Low Pressure Module (AUST)

**Note: Provides 2 inlet and 2 outlet ports and internal 900IW110, 900IW112 Oxygen Flowmeter Module connections. (see page 26) Cylinder regulators not provided.**



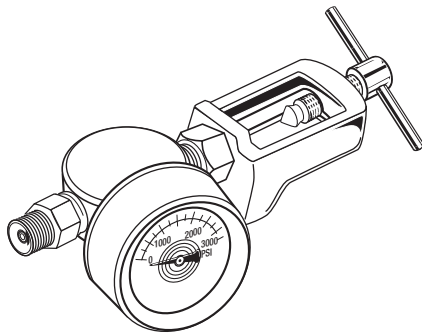
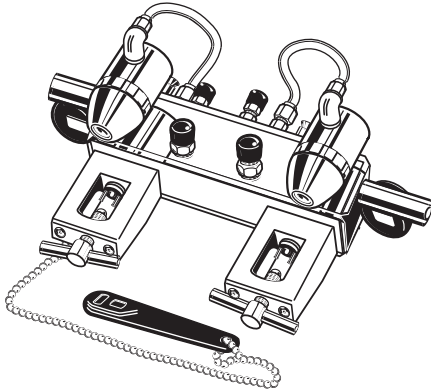
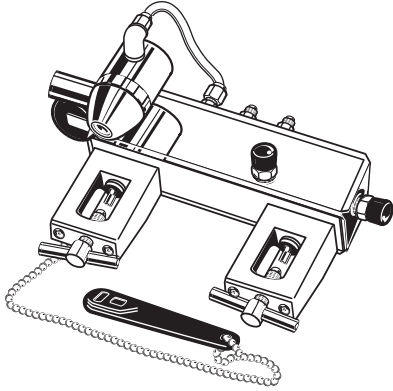
OXYGEN / AIR	
Product Code	Description
900IW162	Gas Low Pressure Module (DISS)
900IW164	Gas Low Pressure Module (NIST)
900IW166	Gas Low Pressure Module (AUST)
900IW168	Gas Low Pressure Module (French Inlet Fittings)

**Note: Provides 2 inlet and 1 outlet ports for each gas and internal 900IW111 and 900IW113 Oxygen/Air Flowmeter Module connections. (see page 26) Cylinder regulators not provided.**

## Gas Supply Modules

The Gas Supply Modules provide a gas supply from either gas cylinders and/or a regulated hospital pipeline system. These modules can be factory fitted to the back of the CosyCot™ Infant Warmer column and includes the appropriate inlet and outlet hose fittings, supply pressure gauges and a cylinder key.

**Only available to UK market through special order to SMS Technologies UK**



OXYGEN	
Product Code	Description
900IW103	Gas Supply Module (NIST)

**Note: Provides 1 inlet and 1 outlet port & internal 900IW110 / 900IW112 Oxygen Flowmeter module connection.  
Cannot be used with a Cylinder Rack**

OXYGEN / AIR	
Product Code	Description
900IW104	Gas Supply Module (NIST)

**Note: Provides 1 inlet and 1 outlet port for each gas & internal connections to all Flowmeter modules (see page 26)  
Cannot be used with a Cylinder Rack.**

## Gas Regulator

The Gas Regulator allows easy connection from a stand alone pin indexed gas cylinder to either a Gas Accessory Block or Gas Low Pressure Module.

- **Maximum Inlet pressure** 15,400 kPa (2233psi)
- **Outlet Pressure** 345 kPa (50psi)

**Note: Gas Hoses not included (see page 31)**

Product Code	Description
900IW171	Regulator Oxygen - Pin Index (DISS)
900IW172	Regulator Air-Pin Index (DISS)



# GAS HOSE ACCESSORIES



## Gas Hose Accessories

Fisher & Paykel Healthcare offer the following range of gas hoses for our Gas Accessories. If your exact requirements are not met within this range, please discuss your requirements with your Fisher & Paykel Healthcare representative.

- 3 meter (10') Hoses**

<b>From</b>	<b>To</b>
Gas Accessory Block	Hospital Pipeline Supply
Gas Low Pressure Module	Hospital Pipeline Supply
Gas Supply Module	Hospital Pipeline Supply

- 550 mm (2') Hoses**

<b>From</b>	<b>To</b>
Gas Accessory Block	Gas Supply Module
Gas Accessory Block	Cylinder Regulator
Gas Low Pressure Module	Cylinder Regulator

OXYGEN				
Manifold Hose Fitting	Wall/Cylinder Hose Fitting	Hose Length	Hose Colour	Part Number
DISS	DISS	550mm (2')	Green	HS-02UO-DHDFC4
DISS	DISS	3m (10')	Green	HS-10UO-DHDFC4
DISS	OHMEDA	3m (10')	Green	HS-10UO-DFOMC4
DISS	PURITAN	3m (10')	Green	HS-10UO-DFPMC4
DISS	CHEMETRON	3m (10')	Green	HS-10UO-DFCMC4
DISS	SCHRADER	3m (10')	Green	HS-10UO-DFBMC4
DISS	DISS	550mm (2')	White	HS-02IO-DHDFC4
DISS	DISS	3m (10')	White	HS-10IO-DHDFC4
NIST	BS PROBE	3m (10')	White	HS-10IO-NFBMC4
NIST	BS PROBE	550mm (2')	White	HS-02IO-NFBMC4
AUST	AUST	3m (10')	White	043041042
AUST	AUST	550mm (2')	White	043041043
AFNOR	AFNOR	3m (10')	White	043042374
DISS	BS PROBE	3m (10')	White	HS-10IO-DFBMC4

AIR				
Manifold Hose Fitting	Wall/Cylinder Hose Fitting	Hose Length	Hose Colour	Part Number
DISS	DISS	550mm (2')	Yellow	HS-02UA-DHDFC4
DISS	DISS	3m (10')	Yellow	HS-10UA-DHDFC4
DISS	OHMEDA	3m (10')	Yellow	HS-10UA-DFOMC4
DISS	PURITAN	3m (10')	Yellow	HS-10UA-DFPMC4
DISS	CHEMETRON	3m (10')	Yellow	HS-10UA-DFCMC4
DISS	SCHRADER	3m (10')	Yellow	HS-10UA-DFSMC4
DISS	DISS	550mm (2')	Black	HS-02IA-DHDFC4
DISS	DISS	3m (10')	Black	HS-10IA-DHDFC4
NIST	BS PROBE	3m (10')	Black	HS-10IA-NFBMC4
NIST	BS PROBE	550mm (2')	Black	HS-02IA-NFBMC4
AUST	AUST	3m (10')	Black	043041044
AUST	AUST	550mm (2')	Black	043041045
AFNOR	AFNOR	3m (10')	Black	043042375
DISS	BS PROBE	3m (10')	Black	HS-10-IA-DFBMC4

# GAS HOSE ACCESSORIES

VACUUM				
LH Hose Fitting	RH Hose Fitting	Hose Length	Hose Colour	Part Number
DISS	DISS	3m (10')	White	HS-10UV-DHDFC5
NIST	BS PROBE	3m (10')	Yellow	HS-10IV-NFBMC4

**Color Code:**

- U** : USA
- I** : ISO

Length in feet

HS - XYZ - XYXX

**Hose Type:**

- C4** : Conductive 1/4"
- C5** : Conductive 5/16"

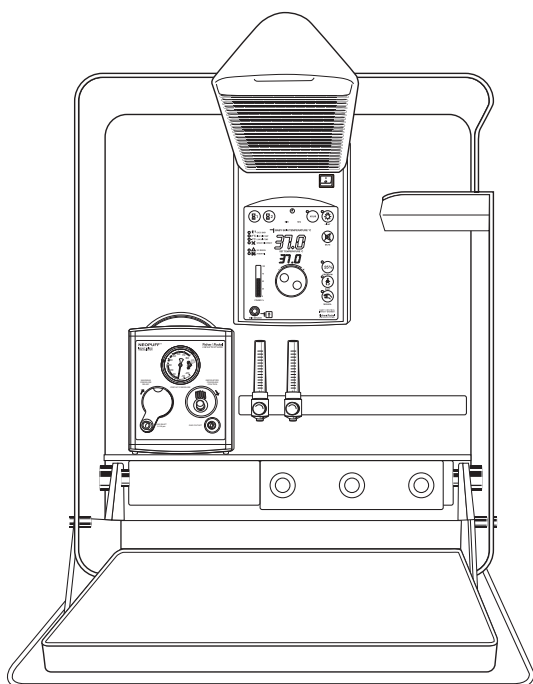
**Gas Type:**

- O** : Oxygen
- A** : Medical Air
- V** : Medical Vacuum

**Inlet & Outlet Connections:**

- DF** : DISS Hex Nut
- DH** : DISS Handtight
- NF** : NIST Hex Nut
- BM** : BS PROBE Male
- OM** : Ohmeda Male
- PM** : Puritan Male
- CM** : Chemetron Male
- SM** : Schrader Male





## Wall Mounted Warmer & CosyCabinet

Designed to optimize space, this easily accessible warming and resuscitation unit provides functionality whilst remaining unobtrusive until required.

- Features include:**
  - Swivel warming head
  - Neopuff™ Infant T-Piece Resuscitator
  - Apgar Timer
  - Colour Corrected Halogen Light
  - Unique Tri-layer foam mattress for comfort
  - Medirail for safety
  - Two oxygen flowmeters adjustable from 0-15Lpm
- Choose either baby or manual mode
- Dimensions** 900mm height x 733mm width x 268 mm depth
- Heater Head Rotation** 90 degrees to specified side
- Electrical** 230 +/- 20VAC, 50-60HZ

Product Code	Description
IW980 + CosyCabinet	Baby Controlled CosyCabinet
IW990 + CosyCabinet	Manual Mode CosyCabinet

\* UK and Australia Only

# INFANT WARMER MODEL

## Ordering Options for 910/920, 930/950 Series, 980/990:

Country	Model Numbers
USA, Latin America, Canada	<b>JEU</b>
United Kingdom, Ireland	<b>AEK</b>
Australia, New Zealand	<b>AEA</b>
France, Italy, Benelux, Spain	<b>AFU</b>
Germany/Austria	<b>AGU</b>
China, Asia, Middle East, Africa	<b>AEU</b>
Japan	<b>GEU</b>

## Infant Warmer Model Suffix

Please refer to the table to find the suffix that applies to your country region.

If your country is not listed, it is most likely because more than one plug type applies to you and so more than one suffix is possible.

\*If unsure of the suffix that applies to your country please contact your Fisher and Paykel Healthcare Representative.

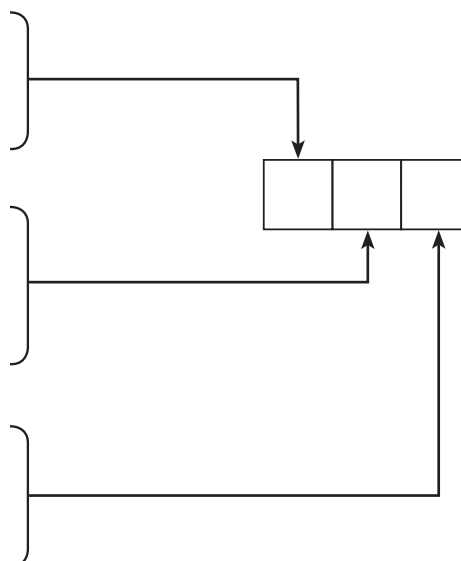
There are only seven possible suffix combinations available: AEA, AEK, AFU, AGU, JEU, GEU and AEU.

## Ordering Options for 910/920, 930/950 Series, 980/990:

Voltage	230V	<b>A</b>
	120V	<b>J</b>
	100V	<b>G</b>

Operating Manual Language	English, Spanish, French	<b>E</b>
	French, Dutch, Italian, Spanish, Portuguese	<b>F</b>
	German, Swedish, Norwegian	<b>G</b>

Plug Type	Australia, New Zealand	<b>A</b>
	United Kingdom	<b>K</b>
	USA, Europe and Universal (no plug)	<b>U</b>



# PART NUMBER INDEX

Part Number	Description	Page
<b>Infant Warmers</b>		
IW980	Baby Controlled Wall Mount Infant Warmer	2
IW990	Manual Controlled Wall Mount Infant Warmer	2
IW910	Baby Controlled Mobile Infant Warmer	3
IW920	Manual Controlled Mobile Infant Warmer	3
IW931/932/933/934	Baby Controlled CosyCot™ Infant Warmer	4
IW951/952/953/954	Manual Controlled CosyCot™ Infant Warmer	5
<b>Infant Warmer Accessories</b>		
NC020-20	SureSense™ Single Use Temperature Sensor	16
NC021-20	SureSense™ Single Use Temperature Sensor US	16
NC120-20	Eyemax Regular (box of 20)	17
NC121-20	Eyemax Preemie (box of 20)	17
NC122-20	Eyemax Micro (box of 20)	17
NC040-10	DaisyDot™ Sensor Cover (10 pack)	16
NC041-10	DaisyDot™ mini Sensor Cover (10 pack)	16
NC100-10	NeoWrap™ (box of 10)	17
NC100-25	NeoWrap™ (dispensing box of 25)	17
900IW001	Duosense™ Reusable Skin Sensor	16
900IW003	Reusable adaptor for SureSense™ temperature sensor	16
900IW103	Oxygen Gas Supply Module (NIST)	30
900IW104	Oxygen/Air Gas Supply Module (NIST)	30
900IW110	Oxy/Oxy Flowmeter Module	26
900IW111	Oxy/Air Flowmeter Module	26
900IW112	Oxy/Oxy Flowmeter Module (green)	26
900IW113	Oxy/Air Flowmeter Module (yellow)	26
900IW115	Flowmeter Oxygen (AUST)	26
900IW116	Flowmeter Air (AUST)	26
900IW117	Flowmeter Oxygen (DISS) white	26
900IW117G	Flowmeter Oxygen (DISS) green	26
900IW118	Flowmeter Air (DISS) black	26
900IW118Y	Flowmeter Air (DISS) yellow	26
900IW121	Venturi Suction (AUST)	11
900IW123	Venturi Suction (DISS)	11
900IW124	Digital Vacuum Regulator	11
900IW125	Analog Vacuum Regulator	11
900IW130	Neopuff™ Infant Resuscitator IW Module	8
900IW151	Oxygen Gas Accessory Block (DISS)	28
900IW152	Air Gas Accessory Block (DISS)	28
900IW153	Oxygen Gas Accessory Block (NIST - schraeder outlets)	28
900IW153K	Oxygen Gas Accessory Block (UK only - for OxyLitre)	28

# PART NUMBER INDEX

Part Number	Description	Page
900IW154	Air Gas Accessory Block (NIST - schraeder outlets)	28
900IW155	Oxygen Gas Accessory Block (AUST - has two inlets)	28
900IW156	Air Gas Accessory Block (AUST)	28
900IW161	Oxygen Gas Low Pressure Module (DISS)	29
900IW162	Oxygen/Air Gas Low Pressure Module (DISS)	29
900IW163	Oxygen Gas Low Pressure Module (NIST)	29
900IW164	Oxygen/Air Gas Low Pressure Module (NIST)	29
900IW165	Oxygen Gas Low Pressure Module (AUST)	29
900IW166	Oxygen/Air Gas Low Pressure Module (AUST)	29
900IW168	Oxygen/Air Gas Low Pressure Module (French Inlet Fittings)	29
900IW171	Regulator Oxygen - Pin Index (DISS)	30
900IW172	Regulator Air-Pin Index	30
900IW181	Suction Block (DISS)	11
900IW182	Suction Block (NIST)	11
900IW183	Suction Block (AUST)	11
900IW201	Mattress - Standard	10
900IW205	X-Ray Tray Module	10
900IW213	Mattress - Long	10
900IW230	neoweigh™ Infant Scales	9
900IW301	Short Mounting Pole	14
900IW302	Long Mounting Pole	14
900IW303	Side Mounting Block	14
900IW305	Cable/Hose Hook	13
900IW306	Accessory Hook	14
900IW309	Suction Canister Mounting Block	13
900IW310	Dual Cylinder Rack (for cylinders up to 117mm diameter)	28
900IW311	Single Cylinder Rack (for cylinders up to 140mm diameter)	28
900IW312A	UPS Mounting Kit (230V)	12
900IW312J	UPS Mounting Kit (120V)	12
900IW313	IV Pole - Quad Hook Bent	15
900IW314	Dovetail Channel Rail Bracket	15
900IW320	Bracket Bird Blender Complete	27
900IW401	Side Shelf and Mounting Block	10
900IW408	Storage Drawer System	10
900IW510	neoBLUE®mini LED Phototherapy System	9
900IW520	neospot™ Procedure Light	9
900IW601	Accessory Pack One	6
900IW602	Accessory Pack Two	7
900MR030	Pole Clamp	13
900MR170	C-Clamp	13

# PART NUMBER INDEX

Part Number	Description	Page
BC501-01	Blender Oxy/Air Bird (DISS) green	27
BC502-01	Blender Oxy/Air Bird (NIST)	27
BC503-01	Blender Oxy/Air Bird (AUST)	27
BC506-01	Blender Oxy/Air Bio-Med (DISS) green	27
BC507-01	Blender Oxy/Air Bio-Med (DISS) white	27
BC510-01	Bird MBlender Pole Mount Bracket	27
HS-02IA-DHDFC4	Air Hose DISS DISS 550mm Black	31
HS-02IA-NFBMC4	Air Hose NIST BS Probe 550mm Black	31
HS-02IO-DHDFC4	Oxygen Hose DISS DISS 550mm White	31
HS-02IO-NFBMC4	Oxygen Hose NIST BS Probe 550mm White	31
HS-02UA-DHDFC4	Air Hose DISS DISS 550mm Yellow	31
HS-02UO-DHDFC4	Oxygen Hose DISS DISS 550mm Green	31
HS-10-IA-DFBMC4	Air Hose DISS BS Probe 3m Black	31
HS-10IA-DHDFC4	Air Hose DISS DISS 3m Black	31
HS-10IA-NFBMC4	Air Hose NIST BS Probe 3m Black	31
HS-10IO-DFBMC4	Oxygen Hose DISS BS Probe 3m White	31
HS-10IO-DHDFC4	Oxygen Hose DISS DISS 3m White	31
HS-10IO-NFBMC4	Oxygen Hose NIST BS Probe 3m White	31
HS-10IV-NFBMC4	Vacuum NIST BS Probe 3m Yellow	32
HS-10UA-DFCMC4	Air Hose DISS Chemetron 3m Yellow	31
HS-10UA-DFOMC4	Air Hose DISS Ohmeda 3m Yellow	31
HS-10UA-DFPMC4	Air Hose DISS Puritan 3m Yellow	31
HS-10UA-DFSMC4	Air Hose DISS Schrader 3m Yellow	31
HS-10UA-DHDFC4	Air Hose DISS DISS 3m Yellow	31
HS-10UO-DFBMC4	Oxygen Hose DISS Schrader 3m Green	31
HS-10UO-DFCMC4	Oxygen Hose DISS Chemetron 3m Green	31
HS-10UO-DFOMC4	Oxygen Hose DISS Ohmeda 3m Green	31
HS-10UO-DFPMC4	Oxygen Hose DISS Puritan 3m Green	31
HS-10UO-DHDFC4	Oxygen Hose DISS DISS 3m Green	31
HS-10UV-DHDFC5	Vacuum DISS DISS 3m White	32
043041042	Oxygen Hose AUST AUST 3m White	31
043041043	Oxygen Hose AUST AUST 550mm White	31
043041044	Air Hose AUST AUST 3m Black	31
043041045	Air Hose AUST AUST 550mm Black	31
043042144	Bacteria Filter	11
043042374	Oxygen Hose AFNOR AFNOR 3m White	31
043042375	Air Hose AFNOR AFNOR 3m Black	31
IW980 + CosyCabinet	Baby Controlled CosyCabinet (UK and Australia)	33
IW990 + CosyCabinet	Manual Mode CosyCabinet (UK and Australia)	33

## For more information please contact your local Fisher & Paykel Healthcare representative

### Manufacturer

Fisher & Paykel Healthcare Ltd  
15 Maurice Paykel Place  
East Tamaki, Auckland 2013

PO Box 14 348 Panmure  
Auckland 1741  
New Zealand

Tel: +64 9 574 0100  
Fax: +64 9 574 0158  
Email: [info@fphcare.com](mailto:info@fphcare.com)  
Web: [www.fphcare.com](http://www.fphcare.com)

### Australia

Tel: +61 3 9879 5022  
Fax: +61 3 9879 5232

### Austria

Tel: 0800 29 31 23  
Fax: 0800 29 31 22

### Benelux

Tel: +31 40 216 3555  
Fax: +31 40 216 3554

### China

Tel: +86 20 3205 3486  
Fax: +86 20 3205 2132

### France

Tel: +33 1 6446 5201  
Fax: +33 1 6446 5221

### Germany

Tel: +49 7181 98599 0  
Fax: +49 7181 98599 66

### India

Tel: +91 80 4284 4000  
Fax: +91 80 4123 6044

### Irish Republic

Tel: 1800 409 011

### Italy

Tel: +39 06 7839 2939  
Fax: +39 06 7814 7709

### Japan

Tel: +81 3 3661 7205  
Fax: +81 3 3661 7206

### Northern Ireland

Tel: 0800 132 189

### Spain

Tel: +34 902 013 346  
Fax: +34 902 013 379

### Sweden

Tel: +46 8 564 76 680  
Fax: +46 8 36 63 10

### Switzerland

Tel: 0800 83 47 63  
Fax: 0800 83 47 54

### Taiwan

Tel: +886 2 8751 1739  
Fax: +886 2 8751 5625

### Turkey

Tel: +90 312 354 34 12  
Fax: +90 312 354 31 01

### UK (EU Authorised Representative)

Fisher & Paykel Healthcare Ltd  
Unit 16, Cordwallis Park  
Clivemont Road, Maidenhead  
Berkshire SL6 7BU, UK

Tel: +44 1628 626 136  
Fax: +44 1628 626 146

### USA

Tel: +1 800 446 3908  
or +1 949 453 4000  
Fax: +1 949 453 4001